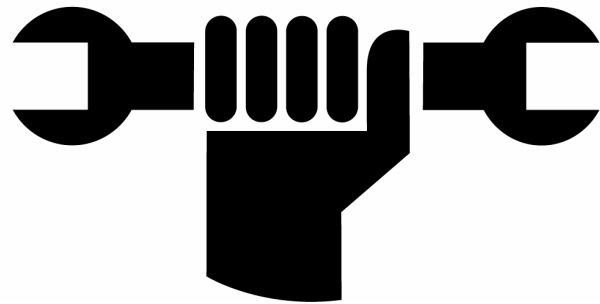


FRM



2011

SPARE PART

MANUAL

&

PRICE LIST

INDEX

CRANKSETS

CU2-M27 BSA 68-73mm	Page 3
CU2-M27 BB30 68-73mm	Page 4
CU2-M18NS BSA 68-73mm	Page 5
CU2-M18NS BB30 68-73mm	Page 6
CU2-M18NS BB30 85mm /Press-Fit 92	Page 7
CU2-M18NS Press-Fit 30 73mm	Page 8

FRONT HUBS

URANO Chrome, Team , Pro (MTB)	Page 9
URANO Lefty Chrome, Team, Pro (MTB)	Page 10
TITANO (MTB)	Page 11
ARIEL Chrome, Pro (Road)	Page 12

REAR HUBS

URANO Chrome, Team , Pro (MTB)	Page 13
TITANO (MTB)	Page 14
ARIEL Chrome, Pro (Road)	Page 15

QUICK RELEASE

SK10-R Team SK10-M Team SK10-Pro	
TASK Team	Page 16

HEADSET

D-SET Team (External cup 1 1/8")	Page 17
D-SET ZS Team (Semi-Integrated 1 1/8")	Page 18
E-SET (Integrated 1,5" Taper)	Page 19
D-SET 1,5" TAPER 49 and 44	Page 20

STEMS

WEB-STEM 32 WEB-STEM 32 Ti.	Page 21
-----------------------------	---------

DISC BRAKES

DBR300 Caliper	
DBR250 Caliper	Page 22
DBR 300 Brake lever	
DBR 250 Brake lever	Page 23
DBR 300 Brake hose & fittings	
DBR 250 Brake hose and fittings	Page 24

SEATPOSTS & SEATCOLLARS

ST-R11 TI. 31,6x250	
ST-M11 TI. 31,6x370	
ST-M11 TI. 30,9x370	Page 25
ST-M10 30,9 / 31,6 x350	
ST-M10 Ti 30,9 / 31,6 x350	
ST-M10 30,9 / 31,6 x400	
ST-M10 Ti 30,9 / 31,6 x400	Page 26
ST-R & M Black Hole	Page 27

SUSPENSION FORKS

AIR-WAY 89SSV Carbon	
AIR-WAY 89SSV BiCarbon	
AIR-WAY 89SSV FullCarbon	Page 28
AIR-WAY 95SSV Carbon	
AIR-WAY 95SSV BiCarbon	
AIR-WAY 95SSV FullCarbon	Page 29
AIR-WAY 85SSV 29er Carbon	
AIR-WAY 85SSV 29er BiCarbon	
AIR-WAY 85SSV 29er FullCarbon	Page 30

Note: new product 2010

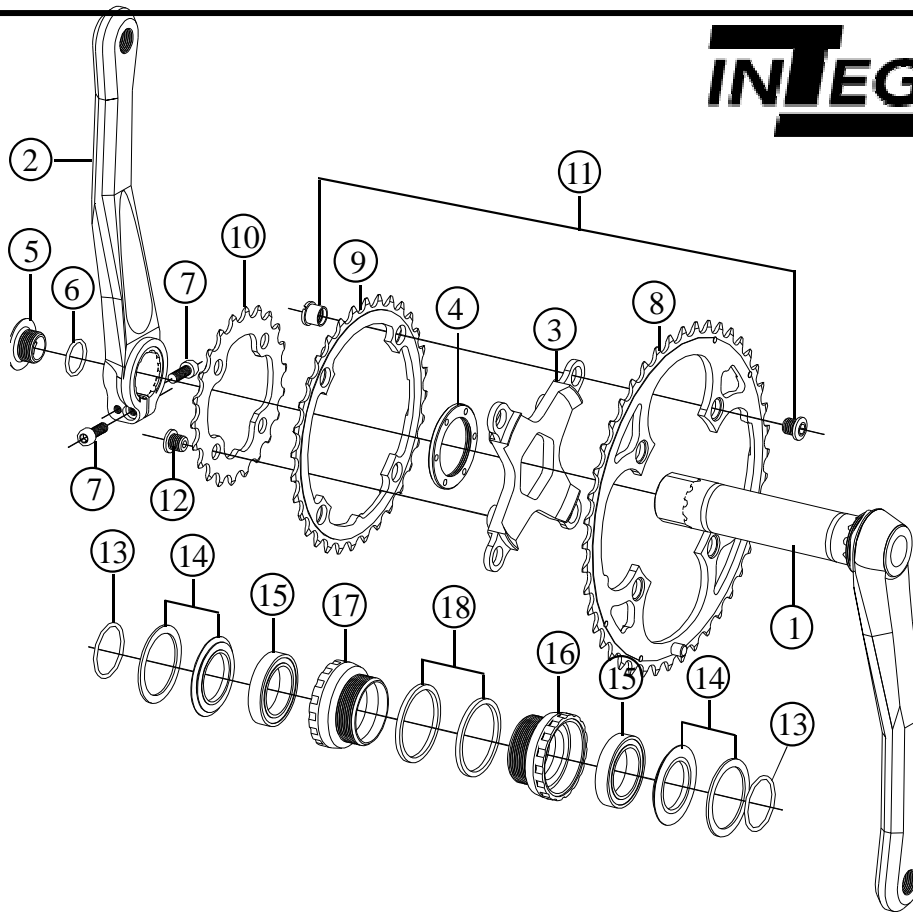
FRM

Front Crankset for MTB

CU2-M27 - BSA 68-73mm BB shell

2011

INTEGRAL DRIVE



Item no.	Code	DESCRIPTION	Price €
1	CU23R	Integral Right Arm with 25mm Axle 170-172,5-175 mm - Black	170,00
2	CU24L	Clamp Type Left Arm 170-172,5-175 mm - Black	115,00
3	CU25M	4 Arm Spider for triple rings (110/64 mm B.C.D.) Black	80,00
4	CU006	Spider Lock Ring	6,00
5	CU18R	Bolt for Play Adjustment. Red, Gold, Blue, Orange with "Titanium Bolts" laser etching	5,00
6	OR2056	O-Ring 2056 (I.D. 14 x 1,78mm) 2pcs	0,15 pc
7	TCC515TI	Allen Bolt M5 x 15 / Titanium - Gold Plated	5,00
7	TCC512TI	Allen bolt M5 x 12 / Titanium - Gold Plated	4,80
8	CU1844O	Chain Ring FRM Pro 44T (104 mm B.C.D.)	54,90
8	CU1842O	Chain Ring FRM Pro 42T (104 mm B.C.D.)	54,90
9	CU1832M	Chain Ring FRM Pro 32T (104 mm B.C.D.)	31,90
10	CU2122I	Chain Ring FRM Pro 22T (64 mm B.C.D.)	19,80
11	CU004	Chainring Fixing Bolt & Nut. Silver	3,70
11	CU004G	Chainring Fixing Bolt & Nut Black, Red, Gold, Blue, Orange	4,50
12	CU005	Inner Gear Fixing Bolt Unit (4pcs)	2,00 pc
13	OR2093	O-Ring 2093 (I.D. 23,52 x 1,78mm) 2pcs	0,15 pc
14	CU19BA	Dust Shield (Plastic) + Rubber Seal (2 sets)	3,00 set
15	BB37257RS	Bearing 6805 2RS 37x 25x 7mm (double seal) 2pcs	16,80 pc
16	CU20BL	Left hand Cup (BC 1,37 x 24T) English Thread / Shell Width 68mm	15,00
17	CU20BR	Right hand Cup (BC 1,37 x 24T) English Thread / Shell Width 68mm	15,00
18	CU22	Spacer 2,5 mm thick. DO NOT USE WITH 73mm BB SHELLS (1 set)	2,00 set
	CU26	Tool for Bottom Bracket Cups	18,00

Note: modified from Spare Part Manual dated 2010

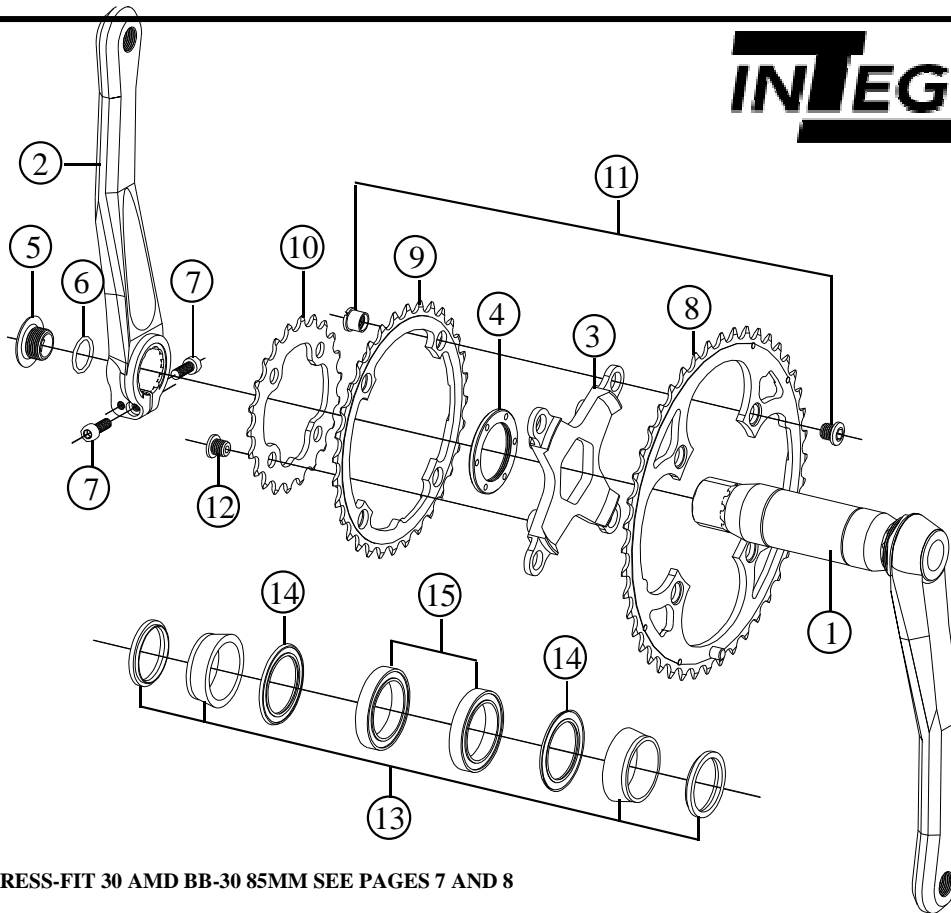
Specifications are subject to change without notice

FRM

Front Crankset for MTB CU2-M27 - BB30 68-73mm

2011

INTEGRAL DRIVE



FOR PRESS-FIT 92, PRESS-FIT 30 AMD BB-30 85MM SEE PAGES 7 AND 8

Item no.	Code	DESCRIPTION	Price €
1	CUB323R	Integral Right Arm with 30mm Axle 170-172,5-175 mm - Black	190,00
2	CU24L	Clamp Type Left Arm 170-172,5-175 mm - Black	115,00
3	CU25M	4 Arm Spider for triple rings (110/64 mm B.C.D.) Black	80,00
4	CU006	Spider Lock Ring	6,00
5	CU18R	Bolt for Play Adjustment. Red, Gold, Blue, Orange with "Titanium Bolts" laser etching	5,00
6	OR2056	O-Ring 2056 (I.D. 14 x 1,78mm) 2pcs	0,15 pc
7	TCC515TI	Allen Bolt M5 x 15 / Titanium - Gold Plated	5,00
7	TCC512TI	Allen bolt M5 x 12 / Titanium - Gold Plated	4,80
8	CU1844O	Chain Ring FRM Pro 44T (104 mm B.C.D.)	54,90
8	CU1842O	Chain Ring FRM Pro 42T (104 mm B.C.D.)	54,90
9	CU1832M	Chain Ring FRM Pro 32T (104 mm B.C.D.)	31,90
10	CU2122I	Chain Ring FRM Pro 22T (64 mm B.C.D.)	19,80
11	CU004	Chainring Fixing Bolt & Nut. Silver	3,70
11	CU004G	Chainring Fixing Bolt & Nut Black, Red, Gold, Blue, Orange	4,50
12	CU005	Inner Gear Fixing Bolt Unit (4pcs)	2,00 pc
13	CUB3AS	Plastic spacers for 68 or 73mm width of BB shell (set of 4 pcs)	10,00 set
14	CUB3DS	Lip Dust Seal - Rubber (2 pcs)	4,00 pc
15	BB42307RS	Bearing 61806 42x 30x 7mm (double seal) 2pcs	15,30 pc

Note: modified from Spare Part Manual dated 2010

Specifications are subject to change without notice

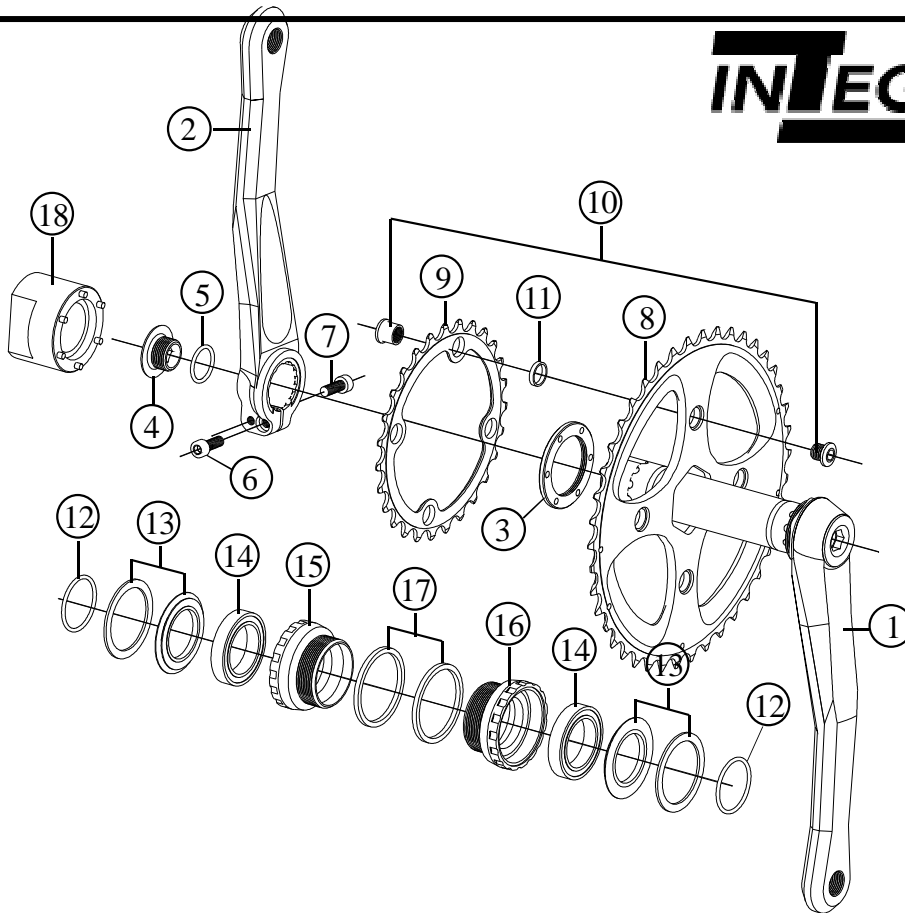
FRM

Front Crankset for MTB

CU2-M18NS – BSA 68-73mm BB shell

2011

INTEGRAL DRIVE



Item no.	Code	DESCRIPTION	Price €
1	CU23R	Integral Right Arm with 25mm Axle High Q-Factor 170-172,5-175 mm – Black	170,00
1	CU23RLQ	Integral Right Arm with 25mm Axle. Low Q-Factor 170-172,5-175 mm - Black	170,00
2	CU24L	Clamp Type Left Arm. High Q-Factor 170-172,5-175 mm - Black	115,00
2	CU24LLQ	Clamp Type Left Arm. Low Q-Factor 170-172,5-175 mm - Black	115,00
3	CU006	Lock Ring	6,00
4	CU18R	Bolt for Play Adjustment. Red, Gold, Blue, Orange with "Titanium Bolts" laser etching	5,00
5	OR2056	O-Ring 2056 (I.D. 14 x 1,78mm) 2pcs	0,15 pc
6	TCC515TI	Allen Bolt M5 x 15 / Titanium - Gold Plated	5,00
7	TCC512TI	Allen bolt M5 x 12 / Titanium - Gold Plated	4,80
8	CU42NS	Chain Ring NS 42T BCD 85mm Black anodised	75,90
8	CU40NS	Chain Ring NS 40T BCD 85mm Black anodised	75,90
8	CU38NS	Chain Ring NS 38T BCD 64mm Black anodised	75,90
8	CU36NS	Chain Ring NS 36T BCD 64mm Black anodised	68,90
9	CU27NS	Chain Ring NS 27T BCD 85mm (compat. 40/42NS rings only) Red, Gold, Blue, Orange anodised	29,00
9	CU25NS	Chain Ring NS 25T BCD 64mm (compat. 39NS ring only) Red, Gold, Blue, Orange anodised	29,00
9	CU22NS	Chain Ring NS 22T BCD 64mm (compat. 36NS ring only) Red, Gold, Blue, Orange anodised	21,50
10	CU004G	Chainring Fixing Bolt & Nut Black, Red, Gold, Blue, Orange	4,50
11	CU004S	Chainring Spacer NS – Light Alloy (Set of 4 pcs)	1,50 set
12	OR2093	O-Ring 2093 (I.D. 23,52 x 1,78mm) 2pcs	0,15 pc
13	CU19BA	Dust Shield (Plastic) + Rubber Seal (2 sets)	3,00 set
14	BB37257RS	Bearing 6805 2RS 37x 25x 7mm (double seal) 2pcs	16,80 pc
15	CU20BL	Left hand Cup (BC 1,37 x 24T) English Thread / Shell Width 68mm	15,00
16	CU20BR	Right hand Cup (BC 1,37 x 24T) English Thread / Shell Width 68mm	15,00
17	CU22	Spacer 2,5 mm thick. DO NOT USE WITH 73mm BB SHELLS (1 set)	2,00 set
	CU26	Tool for Bottom Bracket Threaded Cups	18,00
18	NSTOOL25	Tool to disassemble the Lock Ring with 25mm axle dia.	19,00

Note: modified from Spare Part Manual dated 2010

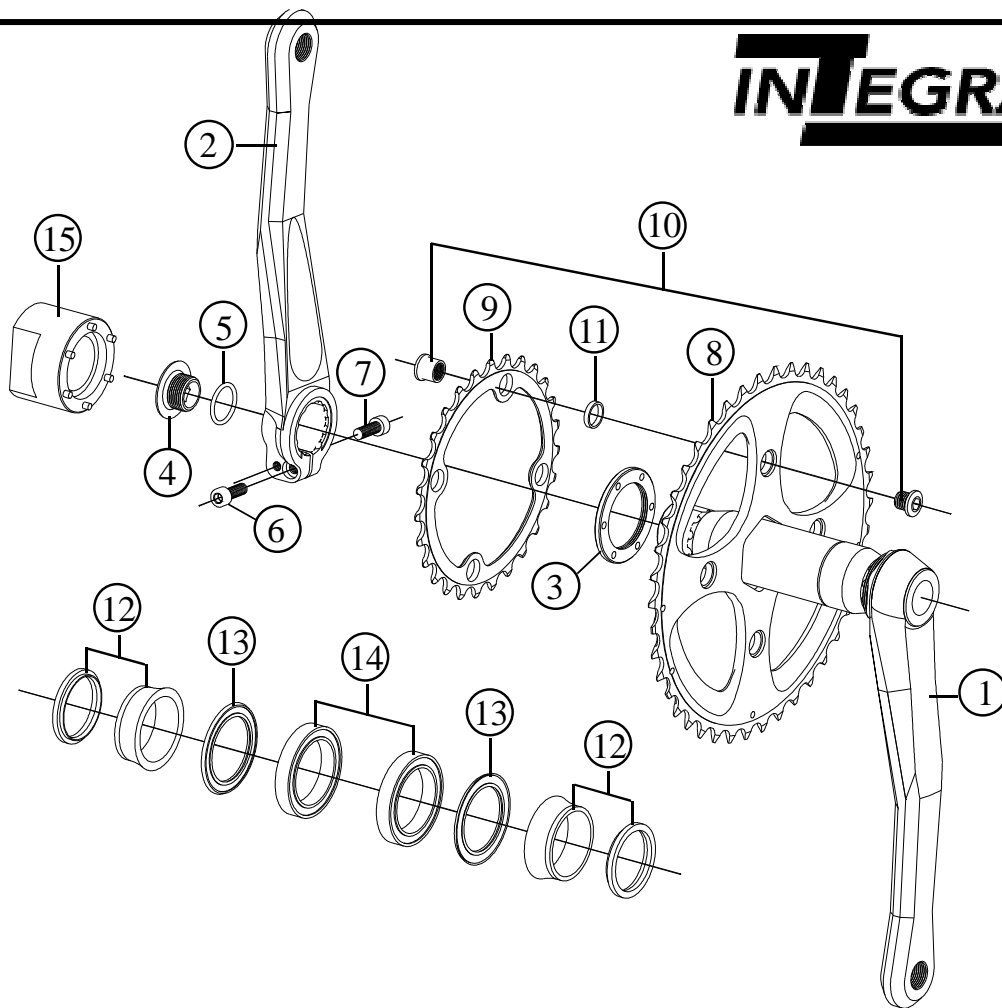
Specifications are subject to change without notice

FRM

Front Crankset for MTB CU2-M18NS - BB30 68-73mm

2011

INTEGRAL DRIVE



Item no.	Code	DESCRIPTION	Price €
1	CU323R	Integral Right Arm with 30mm Axle High Q-Factor 170-172,5-175 mm – Black	190,00
1	CU323RLQ	Integral Right Arm with 30mm Axle. Low Q-Factor 170-172,5-175 mm - Black	190,00
2	CU24L	Clamp Type Left Arm. High Q-Factor 170-172,5-175 mm - Black	115,00
2	CU24LLQ	Clamp Type Left Arm. Low Q-Factor 170-172,5-175 mm - Black	115,00
3	CU006	Lock Ring	6,00
4	CU18R	Bolt for Play Adjustment. Red, Gold, Blue, Orange with “Titanium Bolts” laser etching	5,00
5	OR2056	O-Ring 2056 (I.D. 14 x 1,78mm) 2pcs	0,15 pc
6	TCC515TI	Allen Bolt M5 x 15 / Titanium - Gold Plated	5,00
7	TCC512TI	Allen bolt M5 x 12 / Titanium - Gold Plated	4,80
8	CU42NS	Chain Ring NS 42T BCD 85mm Black anodised	75,90
8	CU40NS	Chain Ring NS 40T BCD 85mm Black anodised	75,90
8	CU38NS	Chain Ring NS 38T BCD 64mm Black anodised	75,90
8	CU36NS	Chain Ring NS 36T BCD 64mm Black anodised	68,90
9	CU27NS	Chain Ring NS 27T BCD 85mm (compat. 40/42NS rings only) Red, Gold, Blue, Orange anodised	29,00
9	CU25NS	Chain Ring NS 25T BCD 64mm (compat. 39NS ring only) Red, Gold, Blue, Orange anodised	29,00
9	CU22NS	Chain Ring NS 22T BCD 64mm (compat. 36NS ring only) Red, Gold, Blue, Orange anodised	21,50
10	CU004G	Chainring Fixing Bolt & Nut Black, Red, Gold, Blue, Orange	4,50
11	CU004S	Chainring Spacer NS – Light Alloy (Set of 4 pcs)	1,50 set
12	CUB3AS	Plastic spacers for 68 or 73mm width of BB shell (set of 4 pcs)	10,00 set
13	CUB3DS	Lip Dust Seal - Rubber (2 pcs)	4,00 pc
14	BB42307RS	Bearing 61806 42x 30x 7mm (double seal) 2pcs	15,30 pc
15	NSTOOL30	Tool to disassemble the Lock Ring with 30mm axle dia.	19,00

Note: modified from Spare Part Manual dated 2010

Specifications are subject to change without notice

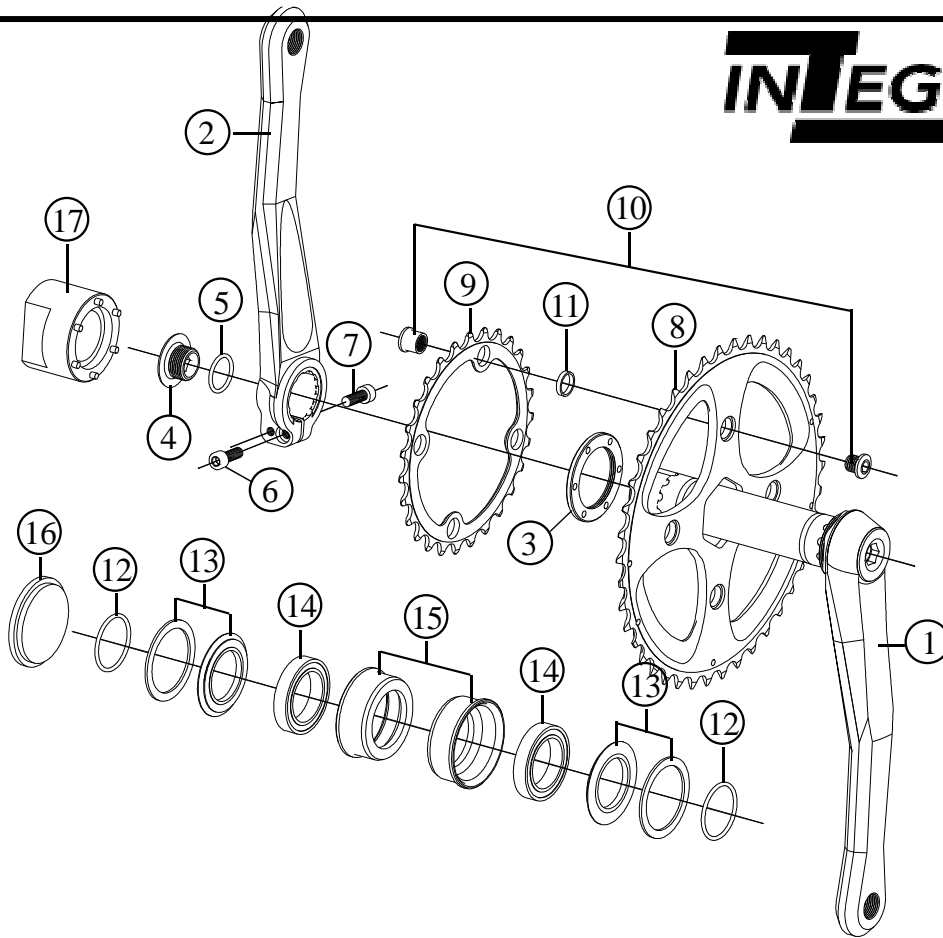
FRM

Front Crankset for MTB

CU2-M18NS – Press-Fit 92mm - BB30 85mm

2011

INTEGRAL DRIVE



Item no.	Code	DESCRIPTION	Price €
1	CU23R	Integral Right Arm with 25mm Axle High Q-Factor 170-172,5-175 mm – Black	170,00
1	CU23RLQ	Integral Right Arm with 25mm Axle. Low Q-Factor 170-172,5-175 mm - Black	170,00
2	CU24L	Clamp Type Left Arm. High Q-Factor 170-172,5-175 mm - Black	115,00
2	CU24LLQ	Clamp Type Left Arm. Low Q-Factor 170-172,5-175 mm - Black	115,00
3	CU006	Lock Ring	6,00
4	CU18R	Bolt for Play Adjustment. Red, Gold, Blue, Orange with “Titanium Bolts” laser etching	5,00
5	OR2056	O-Ring 2056 (I.D. 14 x 1,78mm) 2pcs	0,15 pc
6	TCC515TI	Allen Bolt M5 x 15 / Titanium - Gold Plated	5,00
7	TCC512TI	Allen bolt M5 x 12 / Titanium - Gold Plated	4,80
8	CU42NS	Chain Ring NS 42T BCD 85mm Black anodised	75,90
8	CU40NS	Chain Ring NS 40T BCD 85mm Black anodised	75,90
8	CU38NS	Chain Ring NS 38T BCD 64mm Black anodised	75,90
8	CU36NS	Chain Ring NS 36T BCD 64mm Black anodised	68,90
9	CU27NS	Chain Ring NS 27T BCD 85mm (compat. 40/42NS rings only) Red, Gold, Blue, Orange anodised	29,00
9	CU25NS	Chain Ring NS 25T BCD 64mm (compat. 39NS ring only) Red, Gold, Blue, Orange anodised	29,00
9	CU22NS	Chain Ring NS 22T BCD 64mm (compat. 36NS ring only) Red, Gold, Blue, Orange anodised	21,50
10	CU004G	Chainring Fixing Bolt & Nut Black, Red, Gold, Blue, Orange	4,50
11	CU004S	Chainring Spacer NS – Light Alloy (Set of 4 pcs)	1,50 set
12	OR2093	O-Ring 2093 (I.D. 23,52 x 1,78mm) 2pcs	0,15 pc
13	CU19BA	Dust Shield (Plastic) + Rubber Seal (2 sets)	3,00 set
14	BB37257RS	Bearing 6805 2RS 37x 25x 7mm (double seal) 2pcs	16,80 pc
15	CU20PF92	Bearing Cup for Press-Fit 92 (Plastic)	10,00pc
15	CU20BB3085	Bearing Cup for BB30 85mm (Plastic)	10,00pc
16	CPTOOL	Cup Press Tool (To press plastic cups into the frame)	10,00
17	NSTOOL25	Tool to disassemble the Lock Ring with 25mm axle dia.	19,00

Note: modified from Spare Part Manual dated 2010

Specifications are subject to change without notice

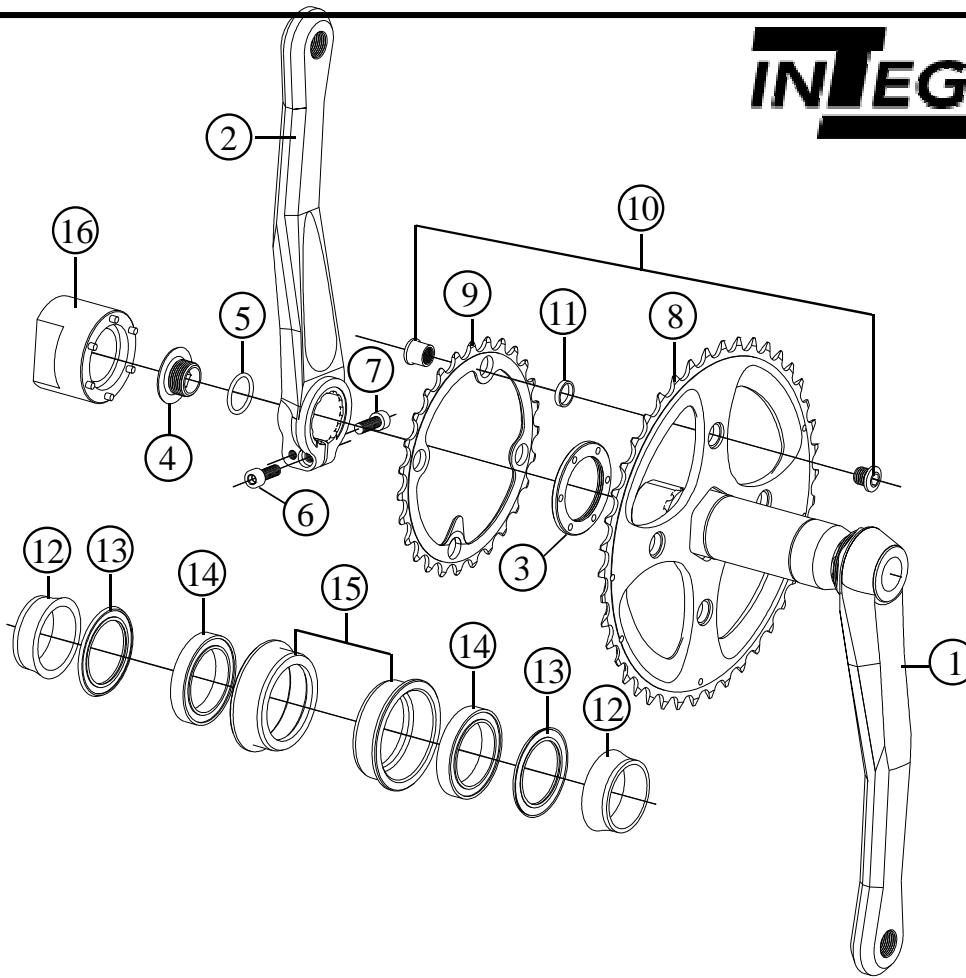
FRM

Front Crankset for MTB

CU2-M18NS – **Press-Fit 30 73mm**

2011

INTEGRAL DRIVE



Item no.	Code	DESCRIPTION	Price €
1	CU323R	Integral Right Arm with 30mm Axle High Q-Factor 170-172,5-175 mm – Black	190,00
1	CU323RLQ	Integral Right Arm with 30mm Axle. Low Q-Factor 170-172,5-175 mm - Black	190,00
2	CU24L	Clamp Type Left Arm. High Q-Factor 170-172,5-175 mm - Black	115,00
2	CU24LLQ	Clamp Type Left Arm. Low Q-Factor 170-172,5-175 mm - Black	115,00
3	CU006	Lock Ring	6,00
4	CU18R	Bolt for Play Adjustment. Red, Gold, Blue, Orange with “Titanium Bolts” laser etching	5,00
5	OR2056	O-Ring 2056 (I.D. 14 x 1,78mm) 2pcs	0,15 pc
6	TCC515TI	Allen Bolt M5 x 15 / Titanium - Gold Plated	5,00
7	TCC512TI	Allen bolt M5 x 12 / Titanium - Gold Plated	4,80
8	CU42NS	Chain Ring NS 42T BCD 85mm Black anodised	75,90
8	CU40NS	Chain Ring NS 40T BCD 85mm Black anodised	75,90
8	CU38NS	Chain Ring NS 38T BCD 64mm Black anodised	75,90
8	CU36NS	Chain Ring NS 36T BCD 64mm Black anodised	68,90
9	CU27NS	Chain Ring NS 27T BCD 85mm (compat. 40/42NS rings only) Red, Gold, Blue, Orange anodised	29,00
9	CU25NS	Chain Ring NS 25T BCD 64mm (compat. 39NS ring only) Red, Gold, Blue, Orange anodised	29,00
9	CU22NS	Chain Ring NS 22T BCD 64mm (compat. 36NS ring only) Red, Gold, Blue, Orange anodised	21,50
10	CU004G	Chainring Fixing Bolt & Nut Black, Red, Gold, Blue, Orange	4,50
11	CU004S	Chainring Spacer NS – Light Alloy (Set of 4 pcs)	1,50 set
12	CUB3AS1	Plastic spacers for 73mm width of BB shell (set of 2 pcs)	7,00 set
13	CUB3DS	Lip Dust Seal - Rubber (2 pcs)	4,00 pc
14	BB42307RS	Bearing 61806 42x 30x 7mm (double seal) 2pcs	15,30 pc
15	CU20PF30	Bearing Cup for Press-Fit 30 (Plastic)	12,00pc
16	NSTOOL30	Tool to disassemble the Lock Ring with 30mm axle dia.	19,00

Note: modified from Spare Part Manual dated 2010

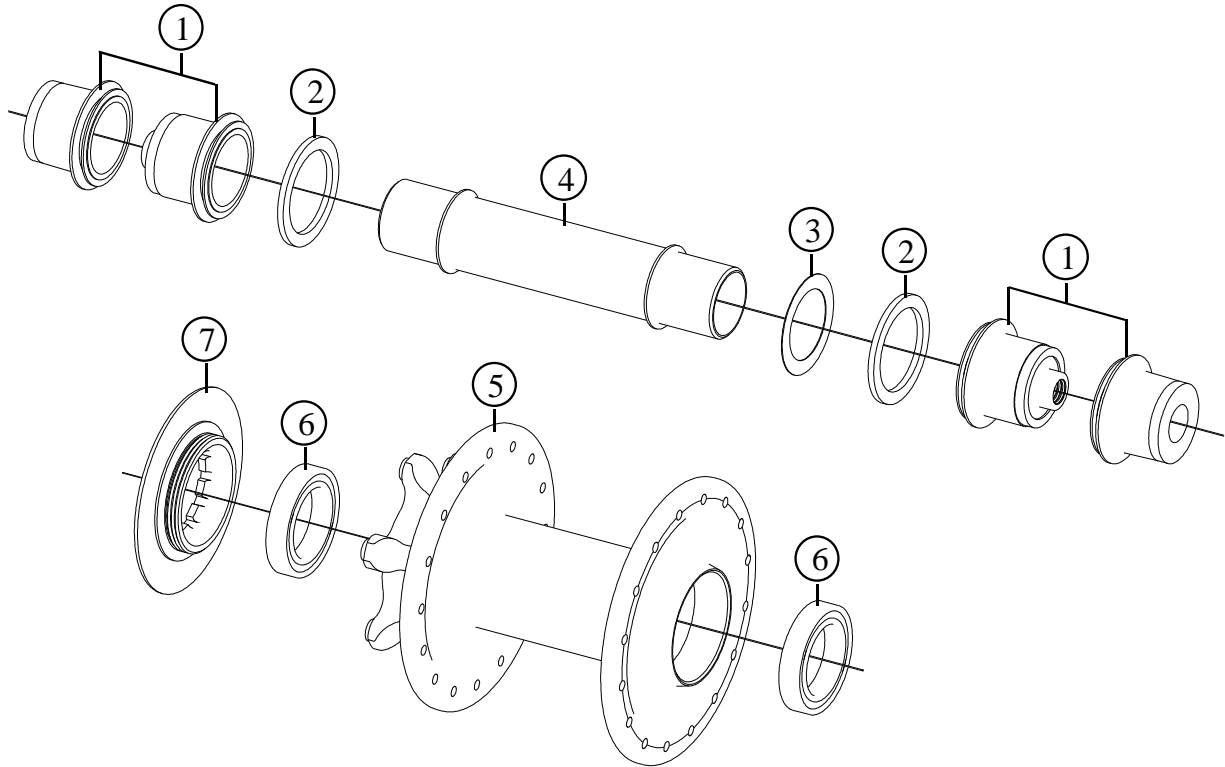
Specifications are subject to change without notice

FRM

Front Hub for MTB

URANO **Chrome**, Team, Pro

2011



ALSO SUPPLIED ON WHEELSETS: Urano XC Team, Team Tubular, Pro, Comp

Item no.	Code	DESCRIPTION	Price €
1	FHURACE	Axle Cap End for regular Quick Release. Inner dia. 17mm/ Light Alloy (2pcs)	6,00 pc
1	FHURACE9	Axle Cap End for 9mm Through-Axle Quick Release. Inner dia. 17mm/ Light Alloy (2pcs)	6,00 pc
2	RS262014	Rubber Seal: 26 x 20 x 1,4mm (2pcs)	0,30 pc
3	SW1724015	Steel washer: 17 x 24 x 0,15mm	0,10
4	FHURAX	Axle dia. 17mm. Light Alloy. Hard Anodised	25,00
5	FHURB32CH	Hub Body /Alloy. Chrome. 32H	52,00
5	FHURB28CH	Hub Body /Alloy. Chrome. 28H	52,00
5	FHURB24CH	Hub Body /Alloy. Chrome. 24H	52,00
5	FHURB32BLK	Hub Body /Alloy. Black anodised. 32H	50,00
5	FHURB32RD	Hub Body /Alloy. Red anodised. 32H	50,00
5	FHURB32GD	Hub Body /Alloy. Gold anodised. 32H	50,00
5	FHURB32BE	Hub Body /Alloy. Blue anodised. 32H	50,00
5	FHURB32OR	Hub Body /Alloy. Orange anodised. 32H	50,00
5	FHURB28RD	Hub Body /Alloy. Red anodised. 28H	50,00
5	FHURB28GD	Hub Body /Alloy. Gold anodised. 28H	50,00
5	FHURB28BE	Hub Body /Alloy. Blue anodised. 28H	50,00
5	FHURB28OR	Hub Body /Alloy. Orange anodised. 28H	50,00
5	FHURB24RD	Hub Body /Alloy. Red anodised. 24H	50,00
5	FHURB24GD	Hub Body /Alloy. Gold anodised. 24H	50,00
5	FHURB24BE	Hub Body /Alloy. Blue anodised. 24H	50,00
5	FHURB24OR	Hub Body /Alloy. Orange anodised. 24H	50,00
6	EB61803	Bearing Enduro 17 x 26 x 5mm ABEC5 61803 2RS (2pcs)	11,00 pc
7	URDLRBCH	Disc Lock-Ring. / Light Alloy. Chrome (Black anodised with lightening holes)	12,00
7	URDLRBLK	Disc Lock-Ring. / Light Alloy. Black	10,00
7	URDLRRD	Disc Lock-Ring. / Light Alloy. Red	10,00
7	URDLRGD	Disc Lock-Ring. / Light Alloy. Gold	10,00
7	URDLRBE	Disc Lock-Ring. / Light Alloy. Blue	10,00
7	URDLROR	Disc Lock-Ring. / Light Alloy. Orange	10,00

Note: modified from Spare Part Manual dated 2010

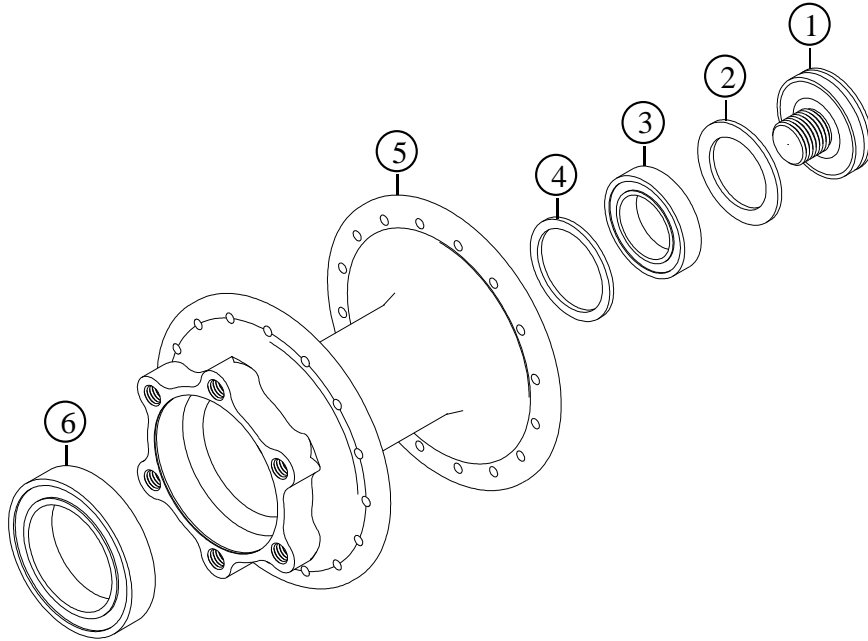
Specifications are subject to change without notice

FRM

Front Hub for MTB

URANO Lefty **Chrome**, Team, Pro

2011



ALSO SUPPLIED ON WHEELSETS: LEFTY Urano XC Team, Team Tubular, Pro, Comp

Item no.	Code	DESCRIPTION	Price €
1	FH116L	Lock-nut bolt in light alloy. Thread 10x1 mm	6,00
2	3FH02DS	Rubber Seal: 24 x 17 x 1	0,30
3	EB6802	Bearing Enduro 24 x 15 x 5mm ABEC5 6802 2RS	10,00
4	FHURLYSP	Bearing Spacer 23,8 x 19,5 x 1,2mm / Light Alloy	0,60
5	FHURLYB32CH	Hub Body /Alloy. Chrome 32H	82,00
5	FHURLYB28CH	Hub Body /Alloy. Chrome 28H	82,00
5	FHURLYB24CH	Hub Body /Alloy. Chrome 24H	82,00
5	FHURLYB32BLK	Hub Body /Alloy. Black anodised. 32H	77,00
5	FHURLYB32RD	Hub Body /Alloy. Red anodised. 32H	77,00
5	FHURLYB32GD	Hub Body /Alloy. Gold anodised. 32H	77,00
5	FHURLYB32BE	Hub Body /Alloy. Blue anodised. 32H	77,00
5	FHURLYB32OR	Hub Body /Alloy. Orange anodised. 32H	77,00
5	FHURLYB28RD	Hub Body /Alloy. Red anodised. 28H	77,00
5	FHURLYB28GD	Hub Body /Alloy. Gold anodised. 28H	77,00
5	FHURLYB28BE	Hub Body /Alloy. Blue anodised. 28H	77,00
5	FHURLYB28OR	Hub Body /Alloy. Orange anodised. 28H	77,00
5	FHURLYB24RD	Hub Body /Alloy. Red anodised. 24H	77,00
5	FHURLYB24GD	Hub Body /Alloy. Gold anodised. 24H	77,00
5	FHURLYB24BE	Hub Body /Alloy. Blue anodised. 24H	77,00
5	FHURLYB24OR	Hub Body /Alloy. Orange anodised. 24H	77,00
6	BB37257RS	Bearing 6805 2RS 37 x 25 x 7mm (double seal)	16,80

Note: modified from Spare Part Manual dated 2010

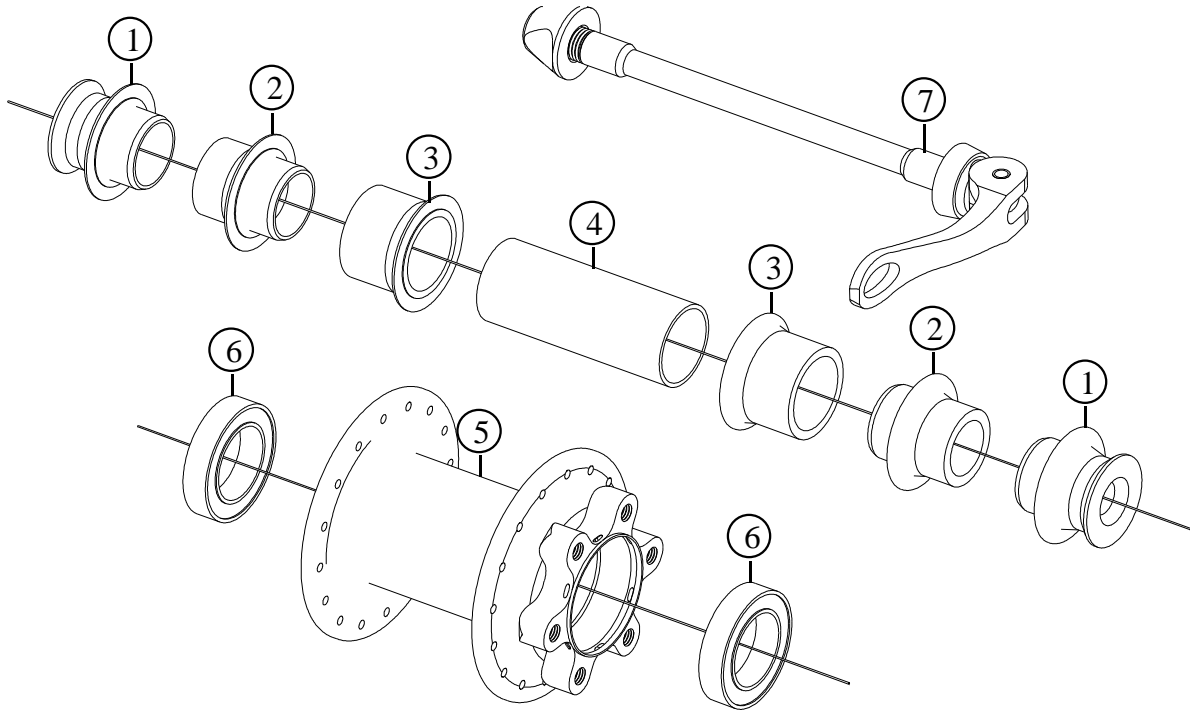
Specifications are subject to change without notice

FRM

Front Hub for MTB

TITANO

2011



SUPPLIED ONLY ON WHEELSETS: Titano Trail, Titano All Mountain

Item no.	Code	DESCRIPTION	Price €
1	FHTIACQR9	Axle Cap End QR9, compatible with Task Team through-axle skewer. Light Alloy (2pcs)	6,00 pc
2	FHTIACQR15	Axle Cap End QR15, compatible with QR15 forks. Light Alloy (2pcs)	6,00 pc
3	FHTIACQR20	Axle Cap End QR20 compatible with QR20 forks. Light Alloy (2pcs)	6,00 pc
4	FHTISP	Spacer 22x57mm. Light Alloy	5,00
5	FHTIB32RD	Hub Body . Alloy. Red anodised. 32H	60,00
6	EB61804	Enduro bearing 20 x 32 x 7mm ABEC5 2RS (2pcs)	12,70 pc
7	TTFTHARD	Task Team front skewer. QR9. Red anodised lever. Hard anodised axle	29,50
7	TTFTHABLK	Task Team front skewer. QR9. Black anodised lever. Hard anodised axle	29,50
7	TTFTHATIT	Task Team front skewer. QR9. Titan anodised lever. Hard anodised axle	29,50

Note: modified from Spare Part Manual dated 2010

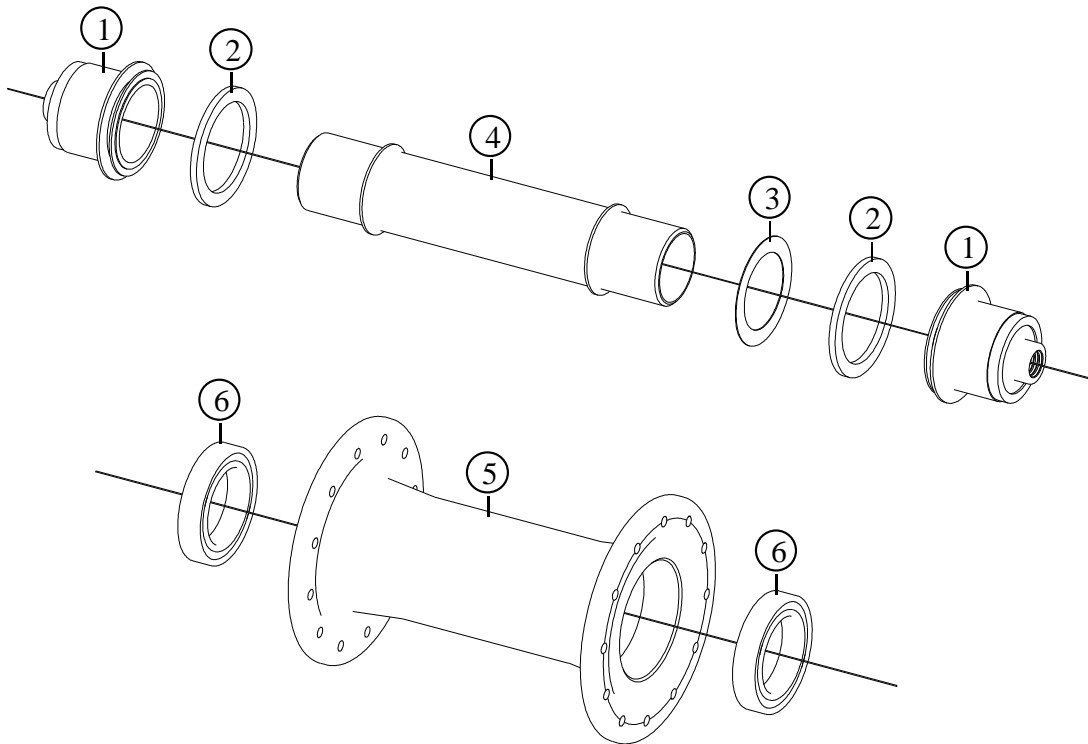
Specifications are subject to change without notice

FRM

Front Hub for Road

ARIEL Chrome, Pro

2011



ALSO SUPPLIED ON WHEELSETS: Ariel Super Race, Pro

Item no.	Code	DESCRIPTION	Price €
1	FHURACE	Axle Cap End. Inner dia. 17mm/ Light Alloy (2pcs)	6,00 pc
2	RS262014	Rubber Seal: 26 x 20 x 1,4mm (2pcs)	0,30 pc
3	SW1724015	Steel washer: 17 x 24 x 0,15mm	0,10
4	FHURAX	Axle dia. 17mm. Light Alloy. Hard Anodised	25,00
5	FHARB24CH	Hub Body /Alloy. Chrome. 24H	44,00
5	FHARB20CH	Hub Body /Alloy. Chrome. 20H	44,00
5	FHARB24BLK	Hub Body /Alloy. Black anodised. 24H	40,00
6	EB61803	Bearing Enduro 17 x 26 x 5mm ABEC5 61803 2RS (2pcs)	11,00 pc

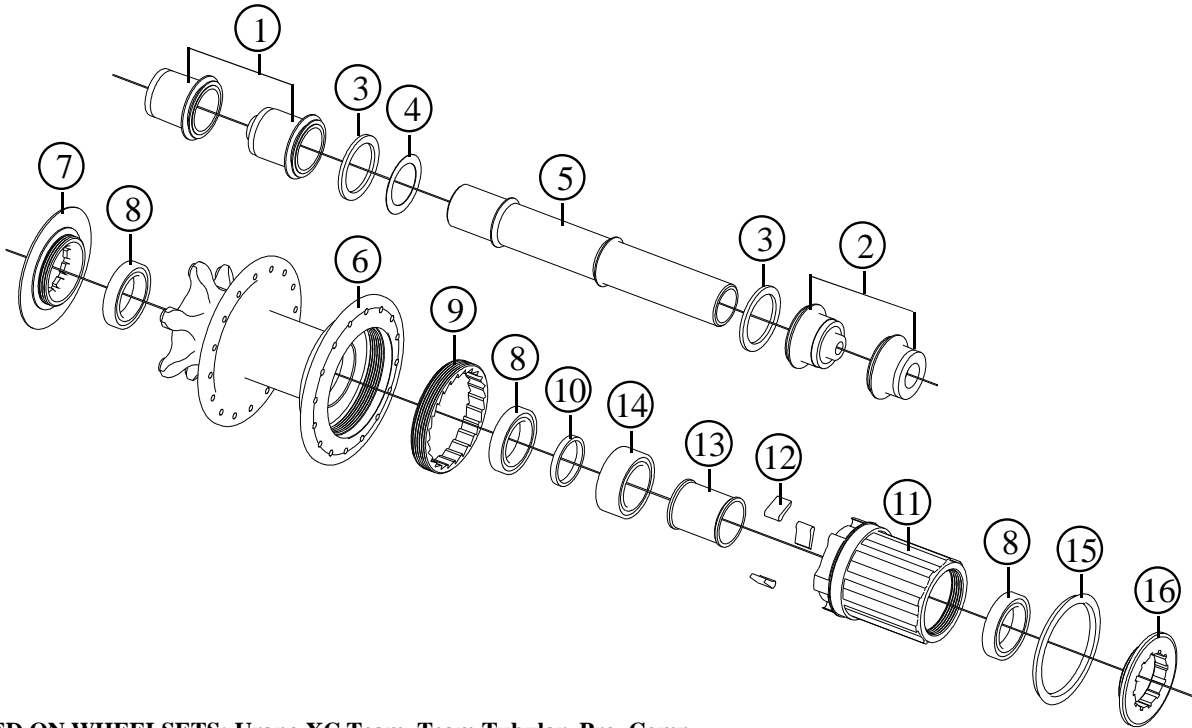
Specifications are subject to change without notice

FRM

Rear Hub for MTB

URANO **Chrome**, Team, Pro

2011



SUPPLIED ON WHEELSETS: Urano XC Team, Team Tubular, Pro, Comp

Item no.	Code	DESCRIPTION	Price €
1	RHURACEL	Axle Cap End for regular Quick Release. Left Side. Inner dia. 17mm/ Light Alloy	6,00
2	RHURACER	Axle Cap End for regular Quick Release. Right Side. Inner dia. 17mm/ Light. Alloy	6,00
1	RHURACE10L	Axle Cap End for 10mm Through-Axle Quick R. Left Side. Inner dia. 17mm/ Light Alloy	6,00
2	RHURACE10R	Axle Cap End for 10mm Through-Axle Quick R. Right Side. Inner dia. 17mm/ Light Alloy	6,00
3	RS262014	Rubber Seal: 26 x 20 x 1,4mm (2pcs)	0,30 pc
4	SW1724015	Steel washer: 17 x 24 x 0,15mm	0,10
5	RHURAX	Axle dia. 17mm. Length 123,5mm. Light Alloy. Hard Anodised	30,00
6	RHURB32CH	Hub Body /Alloy. Chrome. 32H	62,00
6	RHURB32BLK	Hub Body /Alloy. Black anodised. 32H	60,00
6	RHURB32RD	Hub Body /Alloy. Red anodised. 32H	60,00
6	RHURB32GD	Hub Body /Alloy. Gold anodised. 32H	60,00
6	RHURB32BE	Hub Body /Alloy. Blue anodised. 32H	60,00
6	RHURB32OR	Hub Body /Alloy. Orange anodised. 32H	60,00
6	RHURB28CH	Hub Body /Alloy. Chrome. 28H	62,00
6	RHURB28BLK	Hub Body /Alloy. Black anodised. 28H	60,00
6	RHURB28RD	Hub Body /Alloy. Red anodised. 28H	60,00
6	RHURB28GD	Hub Body /Alloy. Gold anodised. 28H	60,00
6	RHURB28BE	Hub Body /Alloy. Blue anodised. 28H	60,00
6	RHURB28OR	Hub Body /Alloy. Orange anodised. 28H	60,00
7		Disc Lock-Ring. See Urano Front Hub	10,00
8	EB61803	Enduro Bearing 17 x 26 x 5mm ABEC5 2RS (3pcs)	11,00 pc
9	RHURITTR	Teethed Ring in Titanium (Urano Chrome / Team)	44,00
9	RHURSTR	Teethed Ring in Steel (Urano Chrome / Team 29er and Urano Pro)	16,00
10	RHURBS	Bearing Spacer 20x17x2,8mm Light Alloy	0,30
11	RHURFWT	Freewheel Body. Light Alloy. Titan Anodised	30,00
12	RHURFWP	Freewheel Pawl in High Steel + Coil Spring (3 sets)	8,00 set
13	RHURFWS	Freewheel Spacer 20 x 17 x 23mm. Light Alloy	2,00
14	EB3803	Enduro Bearing 17 x 26 x 10mm. Double Row. 2RS	19,40
15	SE3744525VG	Rubber Lip Seal SE 37 x 44,5 x 2,5 VG	3,00
16	RHLRSH11	Lock-ring in light alloy for cog-set – 11T	8,00
16	RHLRSH12	Lock-ring in light alloy for cog-set – 12T	8,00

Note: modified from Spare Part Manual dated 2010

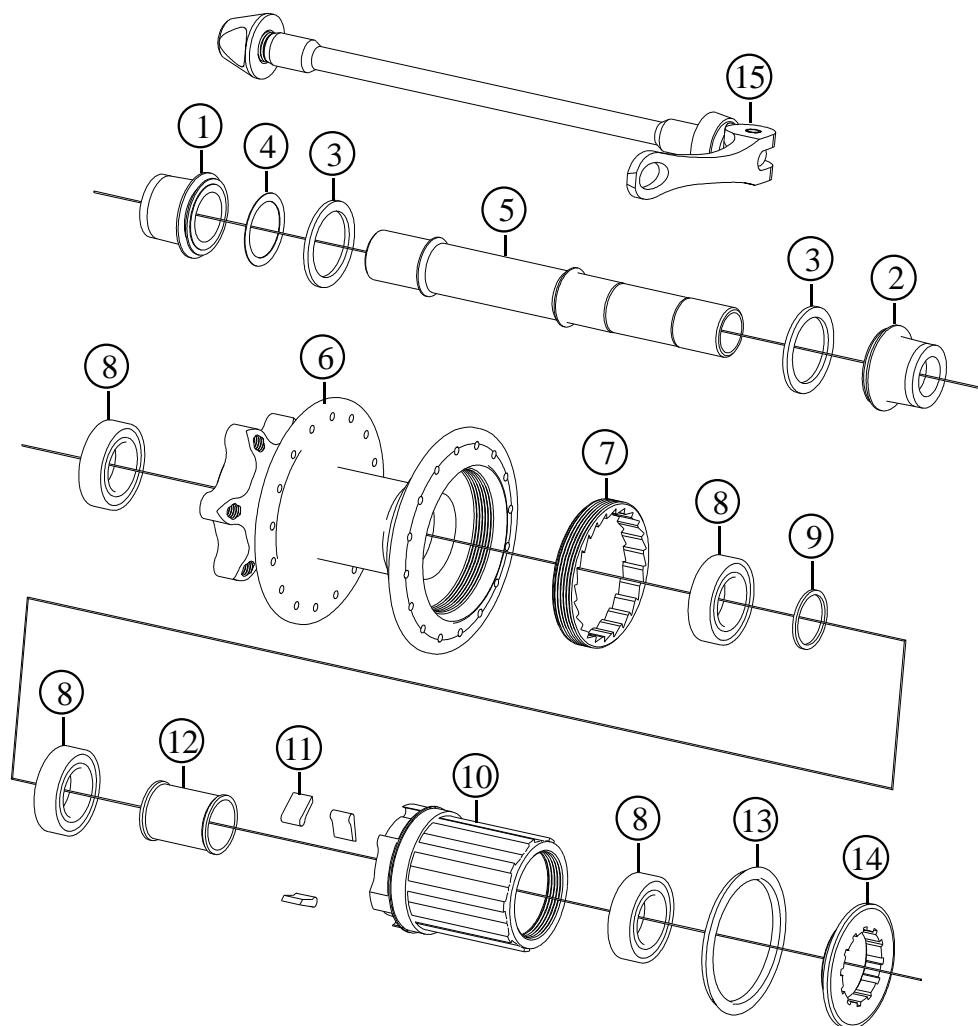
Specifications are subject to change without notice

FRM

Rear Hub for MTB

TITANO

2011



SUPPLIED ONLY ON WHEELSETS: TITANO TRAIL, TITANO ALL MOUNTAIN

Item no.	Code	DESCRIPTION	Price €
1	RHTIACEL10	Axle Cap End. Left Side. Inner dia. 15mm. QR10. Light Alloy	6,00
1	RHTIACELX12	Axle Cap End. Left Side. Inner dia. 15mm. X-12 System. Light Alloy	6,00
2	RHTIACER10	Axle Cap End. Right Side. Inner dia. 15mm. QR10. Light Alloy	6,00
2	RHTIACERX12	Axle Cap End. Right Side. Inner dia. 15mm. X-12 System. Light Alloy	6,00
3	RS262014	Rubber Seal: 26 x 20 x 1,4mm (2pcs)	0,30 pc
4	SW1521015	Steel washer: 15 x 21x 0,15mm	0,10
5	RHTIAX	Axle dia. 15mm. Light Alloy. Hard Anodised	30,00
6	RHTIB32RD	Hub Body /Alloy. Red anodised. 32H	60,00
7	RHURSTR	Teethed Ring in Steel	16,00
8	EBBMR1526	Enduro Bearing 15 x 26 x 7mm ABEC5 2RS (4pcs)	9,20 pc
9	RHTIBS	Bearing Spacer 20 x 15 x 1,3mm Light Alloy	0,30
10	RHURFWB	Freewheel Body. Light Alloy. Blue Anodised	30,00
11	RHURFWP	Freewheel Pawl in High Steel + Coil Spring (3 sets)	8,00 set
12	RHTIFWS	Freewheel Spacer 18 x 15 x 23mm. Light Alloy	2,00
13	SE3744525VG	Rubber Lip Seal SE 37 x 44,5 x 2,5 VG	3,00
14	RHLRSH11	Lock-ring in light alloy for cog-set – 11T	8,00
14	RHLRSH12	Lock-ring in light alloy for cog-set – 12T	8,00
15	TTRTHARD	Task Team rear skewer. QR10. Red anodised lever. Hard anodised axle	33,50
15	TTRTHABLK	Task Team rear skewer. QR10. Black anodised lever. Hard anodised axle	33,50
15	TTRTHATIT	Task Team rear skewer. QR910 Titan anodised lever. Hard anodised axle	33,50

Note: modified from Spare Part Manual dated 2010

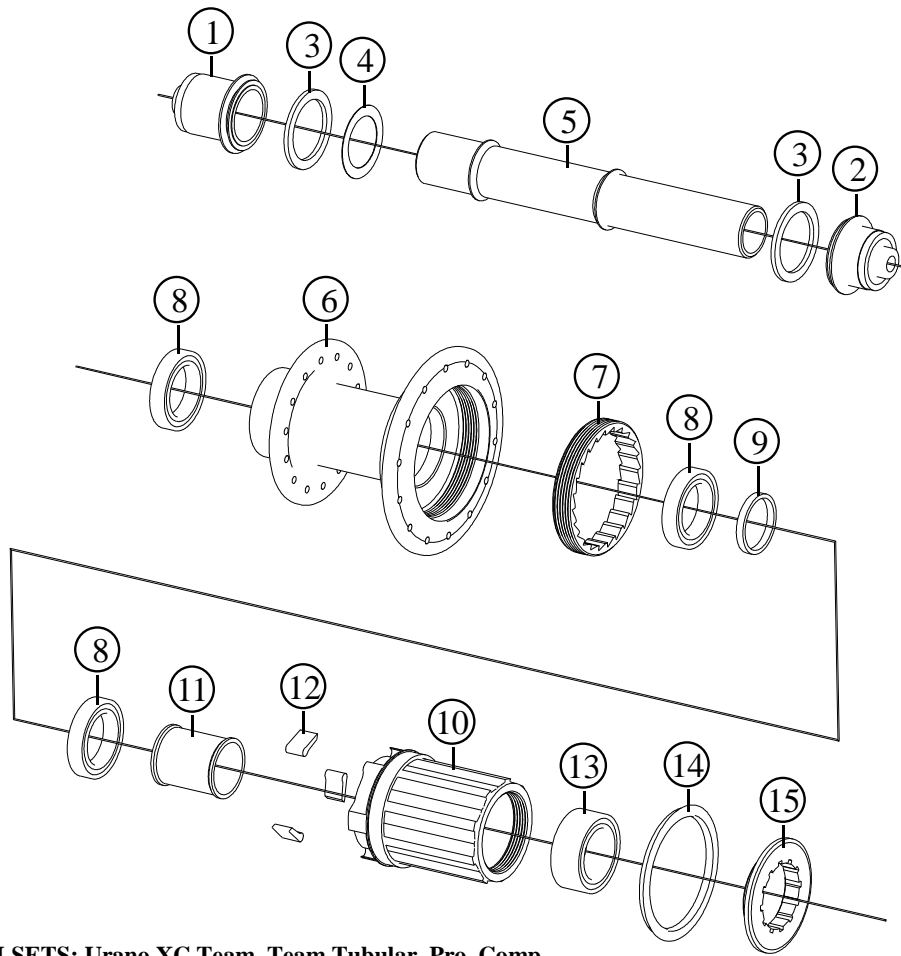
Specifications are subject to change without notice

FRM

Rear Hub for Road

ARIEL Chrome, Pro

2011



SUPPLIED ON WHEELSETS: Urano XC Team, Team Tubular, Pro, Comp

Item no.	Code	DESCRIPTION	Price €
1	RHURACEL	Axle Cap End. Left Side. Inner dia. 17mm/ Light Alloy	6,00
2	RHURACER	Axle Cap End. Right Side. Inner dia. 17mm/ Light. Alloy	6,00
3	RS262014	Rubber Seal: 26 x 20 x 1,4mm (2pcs)	0,30 pc
4	SW1724015	Steel washer: 17 x 24 x 0,15mm	0,10
5	RHURAXR	Axle dia. 17mm. Length 118,5mm. Light Alloy. Hard Anodised	30,00
6	RHARB28CH	Hub Body /Alloy. Chrome. 28H	55,00
6	RHARB24CH	Hub Body /Alloy. Chrome. 24H	55,00
6	RHARB28BLK	Hub Body /Alloy. Black anodised. 28H	51,00
7	RHURTITR	Teethed Ring in Titanium (Ariel Chrome)	44,00
7	RHURSTR	Teethed Ring in Steel (Ariel Pro)	16,00
8	EB61803	Enduro Bearing 17 x 26 x 5mm ABEC5 2RS (3pcs)	11,00 pc
9	RHURBS	Bearing Spacer 20x17x2,8mm Light Alloy	0,30
10	RHURFWB	Freewheel Body. Light Alloy. Blue Anodised	30,00
11	RHURFWS	Freewheel Spacer 20 x 17 x 23mm. Light Alloy	2,00
12	RHURFWP	Freewheel Pawl in High Steel + Coil Spring (3 sets)	8,00 set
13	EB3803	Enduro Bearing 17 x 26 x 10mm. Double Row. 2RS	19,40
14	SE3744525VG	Rubber Lip Seal SE 37 x 44,5 x 2,5 VG	3,00
15	RHLRSH11	Lock-ring in light alloy for cog-set - 11T	8,00
15	RHLRSH12	Lock-ring in light alloy for cog-set - 12T	8,00

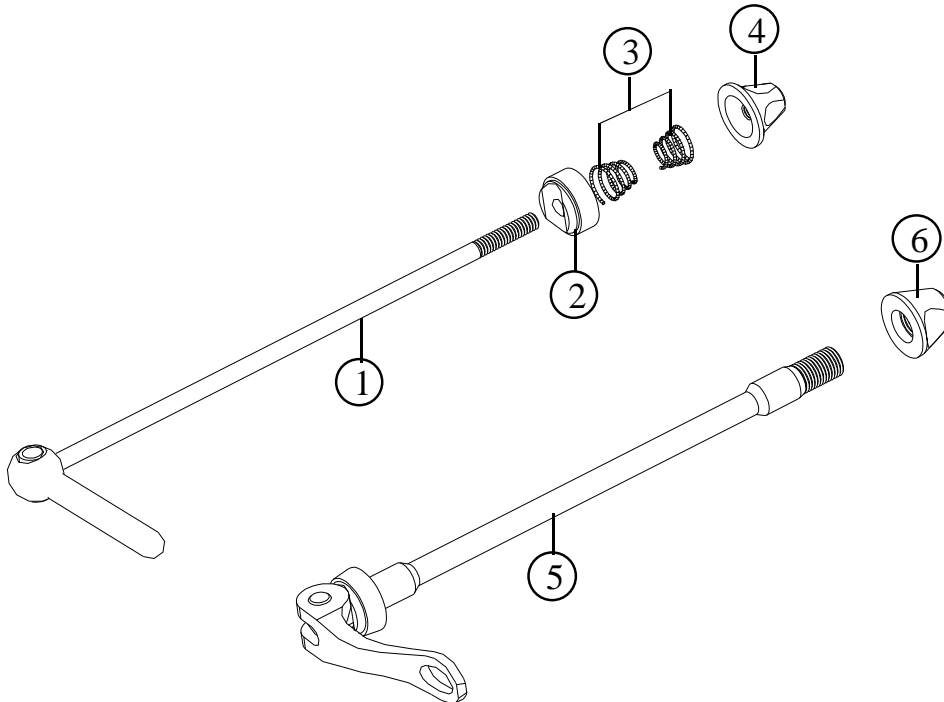
Specifications are subject to change without notice

FRM

Quick Release

SK10-R Team - SK10-M Team - SK10 Pro - TASK Team

2011



Item no.	Code	DESCRIPTION	Price €
1	QRSK10TFRD	Front SK10 Team Lever Red & Axle Assembly (Titanium 4mm)	24,50
1	QRSK10TFBLK	Front SK10 Team Lever Black & Axle Assembly (Titanium 4mm)	24,50
1	QRSK10TFGD	Front SK10 Team Lever Gold & Axle Assembly (Titanium 4mm)	24,50
1	QRSK10TFBE	Front SK10 Team Lever Blue & Axle Assembly (Titanium 4mm)	24,50
1	QRSK10TFOR	Front SK10 Team Lever Orange & Axle Assembly (Titanium 4mm)	24,50
1	QRSK10TFTI	Front SK10 Team Lever Titan & Axle Assembly (Titanium 4mm)	24,50
1	QRSK10PFBLK	Front SK10 Pro Lever Black & Axle Assembly (Steel 4,5mm)	10,50
1	QRSK10TRRRD	Rear SK10 Team Lever Red & Road Axle Assembly (Titanium 4mm)	24,50
1	QRSK10TRRBLK	Rear SK10 Team Lever Black & Road Axle Assembly (Titanium 4mm)	24,50
1	QRSK10TRRGD	Rear SK10 Team Lever Gold & Road Axle Assembly (Titanium 4mm)	24,50
1	QRSK10TRRBE	Rear SK10 Team Lever Blue & Road Axle Assembly (Titanium 4mm)	24,50
1	QRSK10TRROR	Rear SK10 Team Lever Orange & Road Axle Assembly (Titanium 4mm)	24,50
1	QRSK10TRRTI	Rear SK10 Team Lever Titan & Road Axle Assembly (Titanium 4mm)	24,50
1	QRSK10TRMRD	Rear SK10 Team Lever Red & MTB Axle Assembly (Titanium 4mm)	24,50
1	QRSK10TRMBLK	Rear SK10 Team Lever Black & MTB Axle Assembly (Titanium 4mm)	24,50
1	QRSK10TRMGD	Rear SK10 Team Lever Gold & MTB Axle Assembly (Titanium 4mm)	24,50
1	QRSK10TRMBE	Rear SK10 Team Lever Blue & MTB Axle Assembly (Titanium 4mm)	24,50
1	QRSK10TRMOR	Rear SK10 Team Lever Orange & MTB Axle Assembly (Titanium 4mm)	24,50
1	QRSK10TRMTI	Rear SK10 Team Lever Titan & MTB Axle Assembly (Titanium 4mm)	24,50
1	QRSK10PRBLK	Rear SK10 Pro Lever Black & Road or MTB Axle Assembly (Steel 4,5mm)	10,50
2	QRSK10B	Washer with concave Delrin pad	4,00
3	QR00B	Spring (set of 2pcs)	2,00 set
4	QR00C	Nut for SK10 Team Axle with M4 thread	3,00
4	QR00CP	Nut for SK10 Pro Axle with M4,5 Thread	3,00
5	QRTTFRD	Task Team Front Axle and Red Lever	26,50
5	QRTTFBLK	Task Team Front Axle and Black Lever	26,50
5	QRTTFTIT	Task Team Front Axle and Titan Lever	26,50
5	QRTTRRD	Task Team Rear Axle and Red Lever	30,50
5	QRTTRBLK	Task Team Rear Axle and Black Lever	30,50
5	QRTTRTIT	Task Team Rear Axle and Titan Lever	30,50
6	QR00DF	Nut for Front Task Team Axle with 9mm Thread	3,00
6	QR00DR	Nut for Rear Task Team Axle with 10mm Thread	3,00

Note: modified from Spare Part Manual dated 2010

Specifications are subject to change without notice

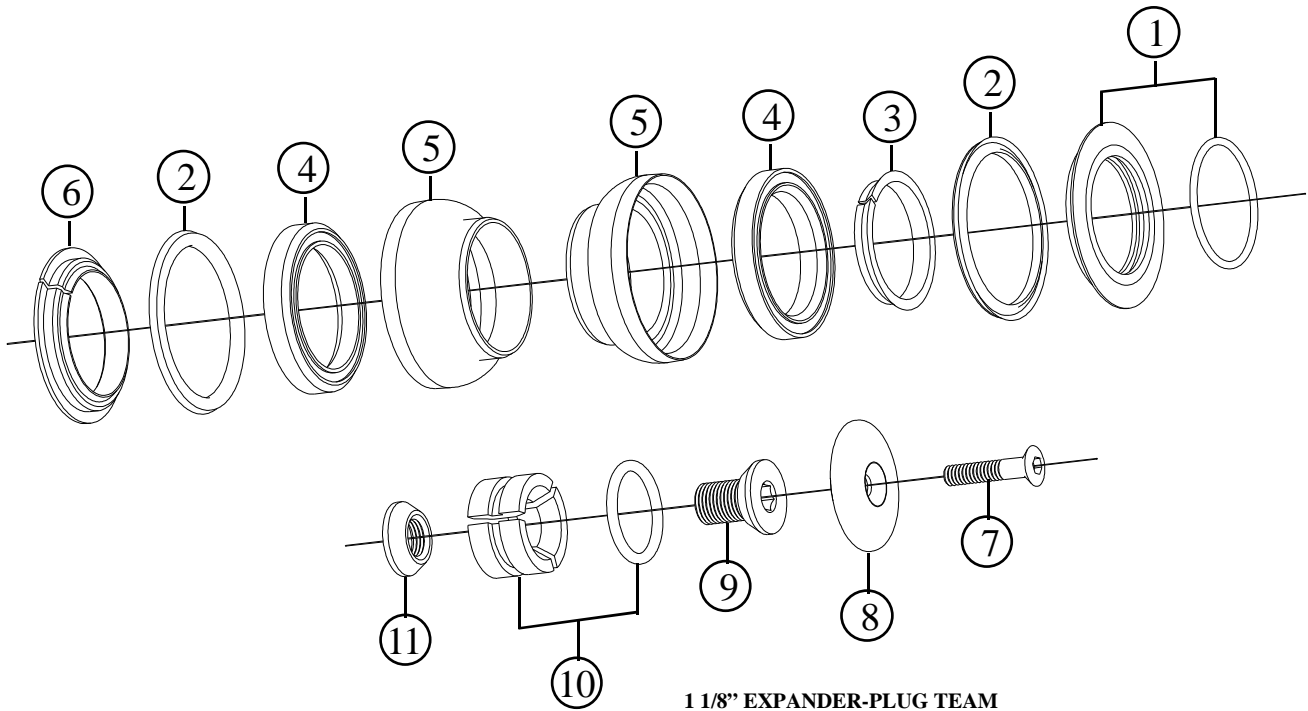
FRM

Head Set

D-SET Team

1 1/8" Standard Threadless (S.H.I.S. EC34/28,6 | EC34/30)

2011



Item no.	Code	DESCRIPTION	Price €
1	HSDSUCABLK	Upper Head Cone Assembly with O-Ring 2112 (ID 28,30 x 1,78mm) Black anod.	7,00
1	HSDSUCARD	Upper Head Cone Assembly with O-Ring 2112 (ID 28,30 x 1,78mm) Red anod.	7,00
1	HSDSUCAGD	Upper Head Cone Assembly with O-Ring 2112 (ID 28,30 x 1,78mm) Gold anod.	7,00
1	HSDSUCABE	Upper Head Cone Assembly with O-Ring 2112 (ID 28,30 x 1,78mm) Blue anod.	7,00
1	HSDSUCAOR	Upper Head Cone Assembly with O-Ring 2112 (ID 28,30 x 1,78mm) Orange anod.	7,00
2	SE3744525VG	Rubber Lip Seal SE 37x44,4x2,5 VG (2pcs)	3,00 pc
3	HSC202	Upper Head Split Cone / Light Alloy	3,00
4	BBACB3645SS	Bearing ABC 36°x 45° 41 x 30,2 x 6,5mm. Stainless Steel (2pcs)	20,50 pc
5	HSDSTHBCBLK	Lower or Upper Head Cup Housing / Black anodised (2pcs)	7,00 pc
5	HSDSTHBCRD	Lower or Upper Head Cup Housing / Red anodised (2pcs)	7,00 pc
5	HSDSTHBCGD	Lower or Upper Head Cup Housing / Gold anodised (2pcs)	7,00 pc
5	HSDSTHBCBE	Lower or Upper Head Cup Housing / Blue anodised (2pcs)	7,00 pc
5	HSDSTHBCOR	Lower or Upper Head Cup Housing / Orange anodised (2pcs)	7,00 pc
6	HSDSLHC	Lower Head Cone for 1 1/8" Forks	4,00
7	TSCCE525T	Bolt for play adjustment M5 x 25mm. Cone-Head / Titanium. Gold plated	6,90
8	EP201TBLK	Cap / Light Alloy / Black anodised	6,00
8	EP201TRD	Cap / Light Alloy / Red anodised	6,00
8	EP201TGD	Cap / Light Alloy / Gold anodised	6,00
8	EP201TBE	Cap / Light Alloy / Blue anodised	6,00
8	EP201TOR	Cap / Light Alloy / Orange anodised	6,00
9	EP102	Male Cone Bolt / Light Alloy	2,50
10	EP203	Three-Piece Expander with O-Ring 122	4,00
11	EP104	Female Cone Nut / Light Alloy	1,00

Specifications are subject to change without notice

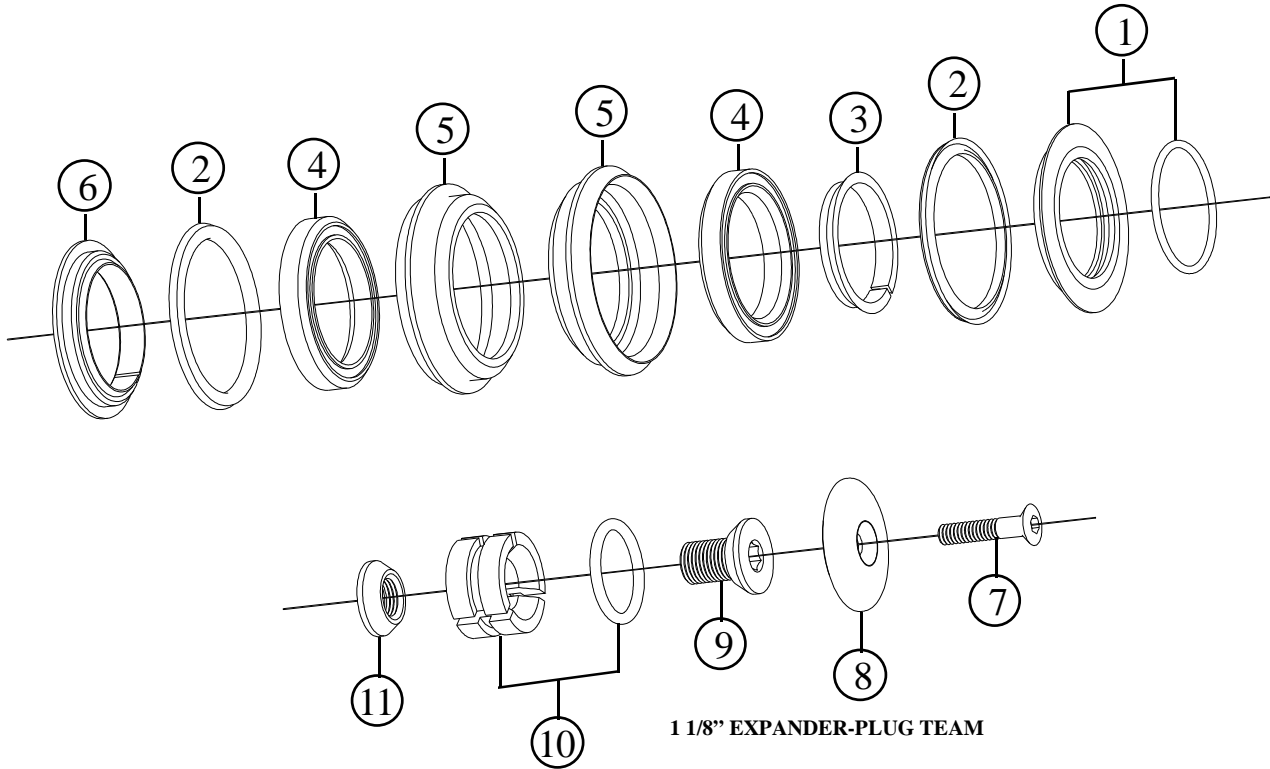
FRM

Head Set

D-SET ZS Team

1 1/8" Zero Stack (S.H.I.S. ZS44/28,6 | ZS44/30)

2011



Item no.	Code	DESCRIPTION	Price €
1	HSDSUCABLK	Upper Head Cone Assembly with O-Ring 2112 (ID 28,3 x 1,78mm) Black anod.	7,00
1	HSDSUCARD	Upper Head Cone Assembly with O-Ring 2112 (ID 28,30 x 1,78mm) Red anod.	7,00
1	HSDSUCAGD	Upper Head Cone Assembly with O-Ring 2112 (ID 28,30 x 1,78mm) Gold anod.	7,00
1	HSDSUCABE	Upper Head Cone Assembly with O-Ring 2112 (ID 28,30 x 1,78mm) Blue anod.	7,00
1	HSDSUCAOR	Upper Head Cone Assembly with O-Ring 2112 (ID 28,30 x 1,78mm) Orange anod.	7,00
2	SE3744525VG	Rubber Lip Seal SE 37 x 44,4 x 2,5 VG (2pcs)	3,00 pc
3	HSC202	Upper Head Split Cone / Light Alloy	3,00
4	BBACB3645SS	Bearing ABC 36°x 45° 41 x 30,2 x 6,5mm. Stainless Steel (2pcs)	20,50 pc
5	HSDSOZBCBLK	Lower or Upper Head Cup Housing / Black anodised (2pcs)	7,00 pc
6	HSDSLHC	Lower Head Cone for 1 1/8" Forks	4,00
7	TSCCE525T	Bolt for play adjustment M5 x 25 Cone-Head / Titanium. Gold plated	6,90
8	EP201TBLK	Cap / Light Alloy / Black anodised	6,00
8	EP201TRD	Cap / Light Alloy / Red anodised	6,00
8	EP201TGD	Cap / Light Alloy / Gold anodised	6,00
8	EP201TBE	Cap / Light Alloy / Blue anodised	6,00
8	EP201TOR	Cap / Light Alloy / Orange anodised	6,00
9	EP102	Male Cone Bolt / Light Alloy	2,40
10	EP203	Three-Piece Expander with O-Ring 122	4,00
11	EP104	Female Cone Nut / Light Alloy	1,00

Specifications are subject to change without notice

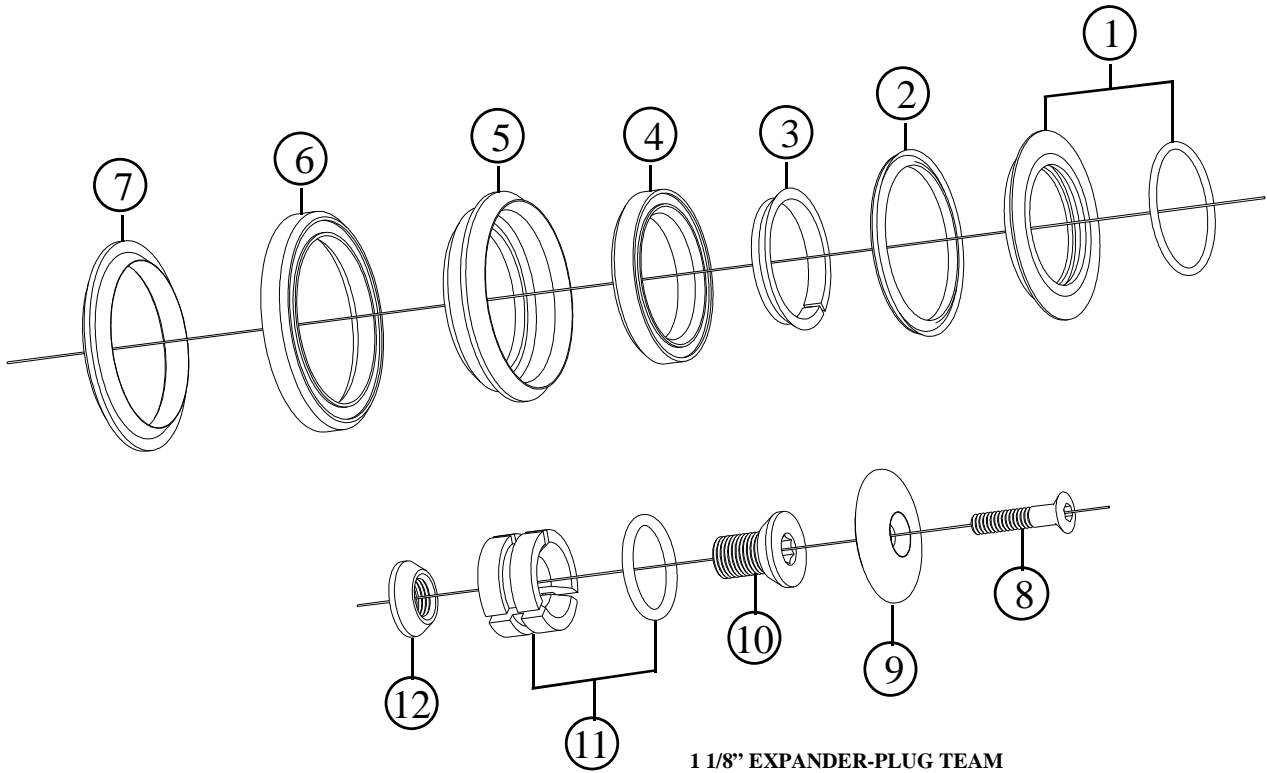
FRM

Head Set

E2-SET

Integrated 1,5" Taper (S.H.I.S. ZS44/28,6 | IS52/40)

2011



1 1/8" EXPANDER-PLUG TEAM

Item no.	Code	DESCRIPTION	Price €
1	HSDSUCABLK	Upper Head Cone Assembly with O-Ring 2112 (ID 28,30 x 1,78mm) Black anod.	7,00
1	HSDSUCARD	Upper Head Cone Assembly with O-Ring 2112 (ID 28,30 x 1,78mm) Red anod.	7,00
1	HSDSUCAGD	Upper Head Cone Assembly with O-Ring 2112 (ID 28,30 x 1,78mm) Gold anod.	7,00
1	HSDSUCABE	Upper Head Cone Assembly with O-Ring 2112 (ID 28,30 x 1,78mm) Blue anod.	7,00
1	HSDSUCAOR	Upper Head Cone Assembly with O-Ring 2112 (ID 28,30 x 1,78mm) Orange anod.	7,00
2	SE3744525VG	Rubber Lip Seal SE 37 x 44,4 x 2,5 VG	3,00
3	HSC202	Upper Head Split Cone / Light Alloy	3,00
4	BBACB3645SS	Bearing ABC 36°x 45° 41 x 30,2 x 6,5mm. Stainless Steel. Original equipment	20,50
5	HSDSOZBCBLK	Upper Head Cup Housing / Black anodised	7,00
6	BBACB156808CC	Bearing ABC 36°x 45° 52 x 40 x 6,5mm. Cromo Steel	15,50
7	HSE2SLHC15	Lower Head Cone for 1,5" Forks	6,60
7	HSE2SLHC118	OPTIONAL: Lower Head Cone for 1 1/8" Forks	6,60
8	TSCCE525T	Bolt for play adjustment M5 x 25 Cone-Head / Titanium. Gold plated	6,90
9	EP201TBLK	Cap / Light Alloy / Black anodised	6,00
9	EP201TRD	Cap / Light Alloy / Red anodised	6,00
9	EP201TGD	Cap / Light Alloy / Gold anodised	6,00
9	EP201TBE	Cap / Light Alloy / Blue anodised	6,00
9	EP201TOR	Cap / Light Alloy / Orange anodised	6,00
10	EP102	Male Cone Bolt / Light Alloy	2,50
11	EP203	Three-Piece Expander with O-Ring 122	4,00
12	EP104	Female Cone Nut / Light Alloy	1,00

Note: modified from Spare Part Manual dated 2010

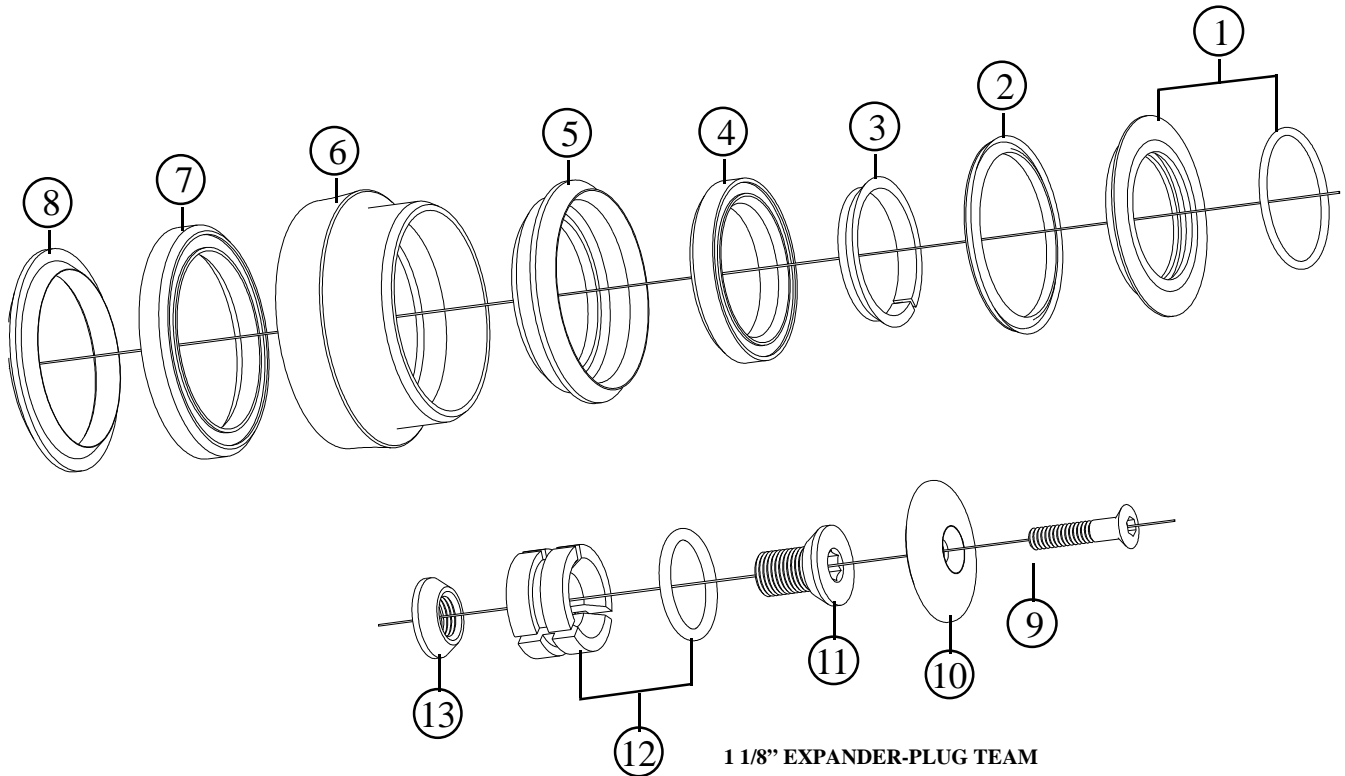
Specifications are subject to change without notice

FRM

Head Set

D-SET 1,5" Taper 49 - **D-SET 1,5" Taper 44**
 (S.H.I.S. ZS44/28,6 | EC49/40) (S.H.I.S. ZS44/28,6 | EC44/40)

2011



1 1/8" EXPANDER-PLUG TEAM

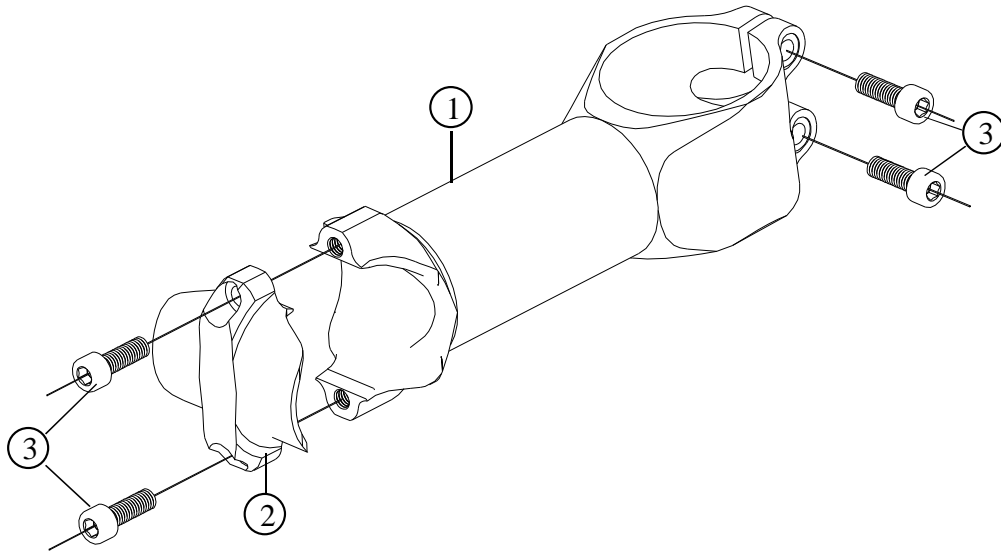
Item no.	Code	DESCRIPTION	Price €
1	HSDSUCABLK	Upper Head Cone Assembly with O-Ring 2112 (ID 28,30 x 1,78mm) Black anod.	7,00
1	HSDSUCARD	Upper Head Cone Assembly with O-Ring 2112 (ID 28,30 x 1,78mm) Red anod.	7,00
1	HSDSUCAGD	Upper Head Cone Assembly with O-Ring 2112 (ID 28,30 x 1,78mm) Gold anod.	7,00
1	HSDSUCABE	Upper Head Cone Assembly with O-Ring 2112 (ID 28,30 x 1,78mm) Blue anod.	7,00
1	HSDSUCAOR	Upper Head Cone Assembly with O-Ring 2112 (ID 28,30 x 1,78mm) Orange anod.	7,00
2	SE3744525VG	Rubber Lip Seal SE 37 x 44,4 x 2,5 VG	3,00
3	HSC202	Upper Head Split Cone / Light Alloy	3,00
4	BBACB3645SS	Bearing ABC 36°x 45° 41 x 30,2 x 6,5mm. Stainless Steel. Original equipment	20,50
5	HSDSOZBCBLK	Upper Head Cup Housing / Black anodised	7,00
6	HSDSEC1549	Lower Cup Housing for 1,5" Bearing. 49,6mm frame bore / Black Anodised	15,00
6	HSDSEC1544	Lower Cup Housing for 1,5" Bearing. 44mm frame bore / Black Anodised	15,00
7	BBACB156808CC	Bearing ABC 36°x 45° 52 x 40 x 6,5mm. Cromo Steel	15,50
8	HSE2SLHC15	Lower Head Cone for 1,5" Forks	6,60
8	HSE2SLHC118	OPTIONAL: Lower Head Cone for 1 1/8" Forks	6,60
9	TSCCE525T	Bolt for play adjustment M5 x 25 Cone-Head / Titanium. Gold plated	6,90
10	EP201TBLK	Cap / Light Alloy / Black anodised	6,00
10	EP201TRD	Cap / Light Alloy / Red anodised	6,00
10	EP201TGD	Cap / Light Alloy / Gold anodised	6,00
10	EP201TBE	Cap / Light Alloy / Blue anodised	6,00
10	EP201TOR	Cap / Light Alloy / Orange anodised	6,00
11	EP102	Male Cone Bolt / Light Alloy	2,50
12	EP203	Three-Piece Expander with O-Ring 122	4,00
13	EP104	Female Cone Nut / Light Alloy	1,00

FRM

Stem for Road & MTB

Web Stem 32 – Web Stem 32 Ti.

2011



Item no.	Code	DESCRIPTION	Price €
1	WS05L	Light alloy Stem Shaft 75mm (Black) 31,8mm	66,00
1	WS05AL	Light alloy Stem Shaft 90mm (Black) 31,8mm	66,00
1	WS05BL	Light alloy Stem Shaft 100mm (Black) 31,8mm	66,00
1	WS05CL	Light alloy Stem Shaft 110mm (Black) 31,8mm	66,00
1	WS05DL	Light alloy Stem Shaft 120mm (Black) 31,8mm	66,00
1	WS05EL	Light alloy Stem Shaft 130mm (Black) 31,8mm	66,00
2	WS06BLK	Stem Cap / Black	16,00
2	WS06GD	Stem Cap / Gold	16,00
2	WS06RD	Stem Cap / Red	16,00
2	WS06BE	Stem Cap / Blue	16,00
2	WS06OR	Stem Cap / Orange	16,00
3	TCC515S	Allen Bolt M5x15 / Steel (4pcs)	0,10 pc
3	TCC515TI	Allen Bolt M5x15 / Titanium - Gold Plated (4pcs)	5,00 pc

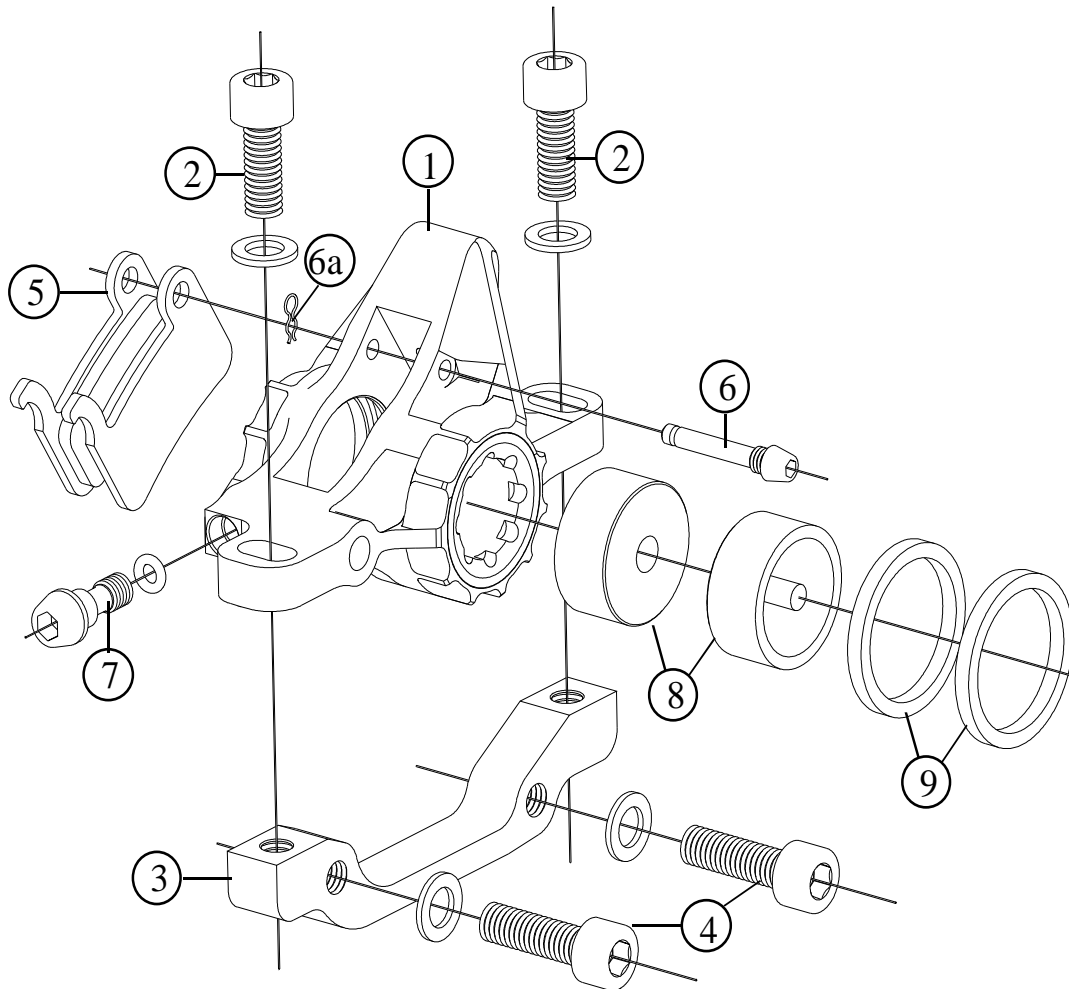
Specifications are subject to change without notice

FRM

Disc Brakes - Caliper

DBR 250 – DBR 300 – DBR 300DH

2011



Item no.	Code	DESCRIPTION	Price €
1	DBR300CABR	Caliper Body & Cap. Post-Mount Type. Red Anodised (DBR300 & 250)	65,00
1	DBR300CABG	Caliper Body & Cap. Post-Mount Type. Gold Anodised (DBR300 & 250)	65,00
1	DBR300CAB	Caliper Body & Cap. Post-Mount Type. Black Anodised (DBR300 & 250)	65,00
1	DBR300CABB	Caliper Body & Cap. Post-Mount Type. Blue Anodised (DBR300 & 250)	65,00
1	DBR300CAOR	Caliper Body & Cap. Post-Mount Type. Orange Anodised (DBR300 & 250)	65,00
2	TCC615SS	Body Fixing Bolts M6x15 & Washer. Stainless Steel (DBR300) 2pcs	0,30 pc
2	TCC615TI	Body Fixing Bolts M6x15 & Washer. Titanium, Gold Plated (DBR250) 2pcs	6,50 pc
3	AU01	Adapter from I.S to P-M: 160mm front or 140mm rear rotor. With two steel bolts	10,60
3	AU02	Adapter from I.S to P-M: 180mm front or 160mm rear rotor. With two steel bolts	10,60
3	AU04	Adapter rear 180mm. With two steel bolts	10,00
3	AU31	Adapter for Post-Mount fork: 180mm front rotor. With steel bolts and washers	17,70
4	TCC615TI	OPTIONAL: Adapter Fixing Bolts M6x15 & Washer. Titanium, Gold Plated (2pcs)	6,50 pc
5	AD014MS	Pads. XTR compat. w/spring. Metallic compound. Steel Backing (Copper color) – DBR300DH	20,00
5	AD014SS	Pads. XTR compat. w/spring. SemiMetallic Compound. Steel Backing (Black color) – DBR300	12,50
5	AD014SA	Pads. XTR compat. w/spring. Organic Compound. Alloy Backing (Silver color) – DBR250	17,80
6-6a	DBR300CB	Pads Fixing Pin. Light Alloy with Pin Spring. Black Anodised (DBR300 & 250)	3,00
7	DBR300CD	Bleed Bolt. Light Alloy & O-Ring (DBR300 & 250)	3,00
8	DBR300P	Pistons. Hard Anodised (DBR300 & 250)	2pcs 20,00
9	DBR300S	EPDM Seals. (DBR300 & 250)	2pcs 3,80

Note: modified from Spare Part Manual dated 2009

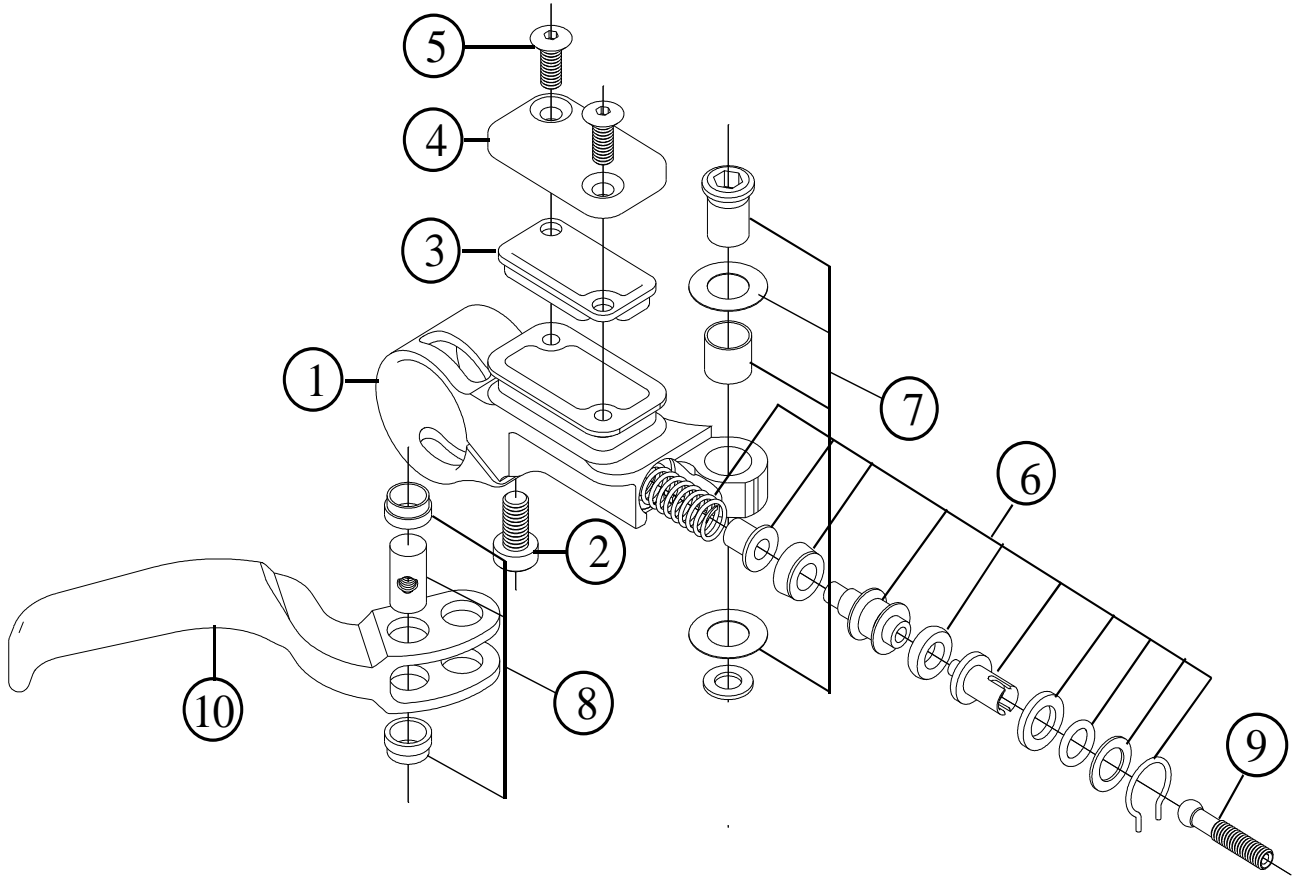
Specifications are subject to change without notice

FRM

Disc Brakes – Pumps

DBR 250 – DBR 300 – DBR 300DH

2011



Item no.	Code	DESCRIPTION	Price €
1	DBR300LARHA	Brake Pump Body. Right side. Hard Anodised (DBR300 & 250)	45,00
1	DBR300LALHA	Brake Pump Body. Right side. Hard Anodised (DBR300 & 250)	45,00
2	TCC510T	Allen Bolt M5x10 / Titanium - Gold Plated (2pcs)	5,00 pc
2	TCC510S	Allen Bolt M5x10 / Steel (2pcs)	0,08 pc
3	DBR300RM	Reservoir Membrane. EPDM Rubber (DBR300 & 250)	2,00
4	DBR300LBBLK	Reservoir Cap. Light Alloy – Black Anodised (DBR300 & 250)	7,00
4	DBR300LBRD	Reservoir Cap. Light Alloy – Red Anodised (DBR300 & 250)	7,00
4	DBR300LBGD	Reservoir Cap. Light Alloy – Gold Anodised (DBR300 & 250)	7,00
4	DBR300LBBE	Reservoir Cap. Light Alloy – Blue Anodised (DBR300 & 250)	7,00
4	DBR300LBOR	Reservoir Cap. Light Alloy – Orange Anodised (DBR300 & 250)	7,00
5	TSCCE45S	Come Head Bolt. M4 x 8mm. Stainless Steel (DBR300) 2pcs	0,05 pc
5	TSCCE48TI	Come Head Bolt. M4x8mm. Titanium, Gold Plated (DBR250) 2pcs	4,50 pc
6	DBR300PK	Piston Kit. Piston Parts, EPDM Seals, Washers, Springs and Assembly Tool (DBR300 & 250)	18,30
7	DBR300BLBA	Brake Lever Bushing, Axle, Shims and Seeger	7,00
8	DBR300BLPRA	Brake Lever Push Rod Axle & Bushings	7,00
9	DBR300BLPR	Brake Lever Push Rod	3,00
10	DBR300BL	Brake Lever. Right or Left side. Light Alloy. Black Anodised (DBR300&250)	25,00

Note: modified from Spare Part Manual dated 2010

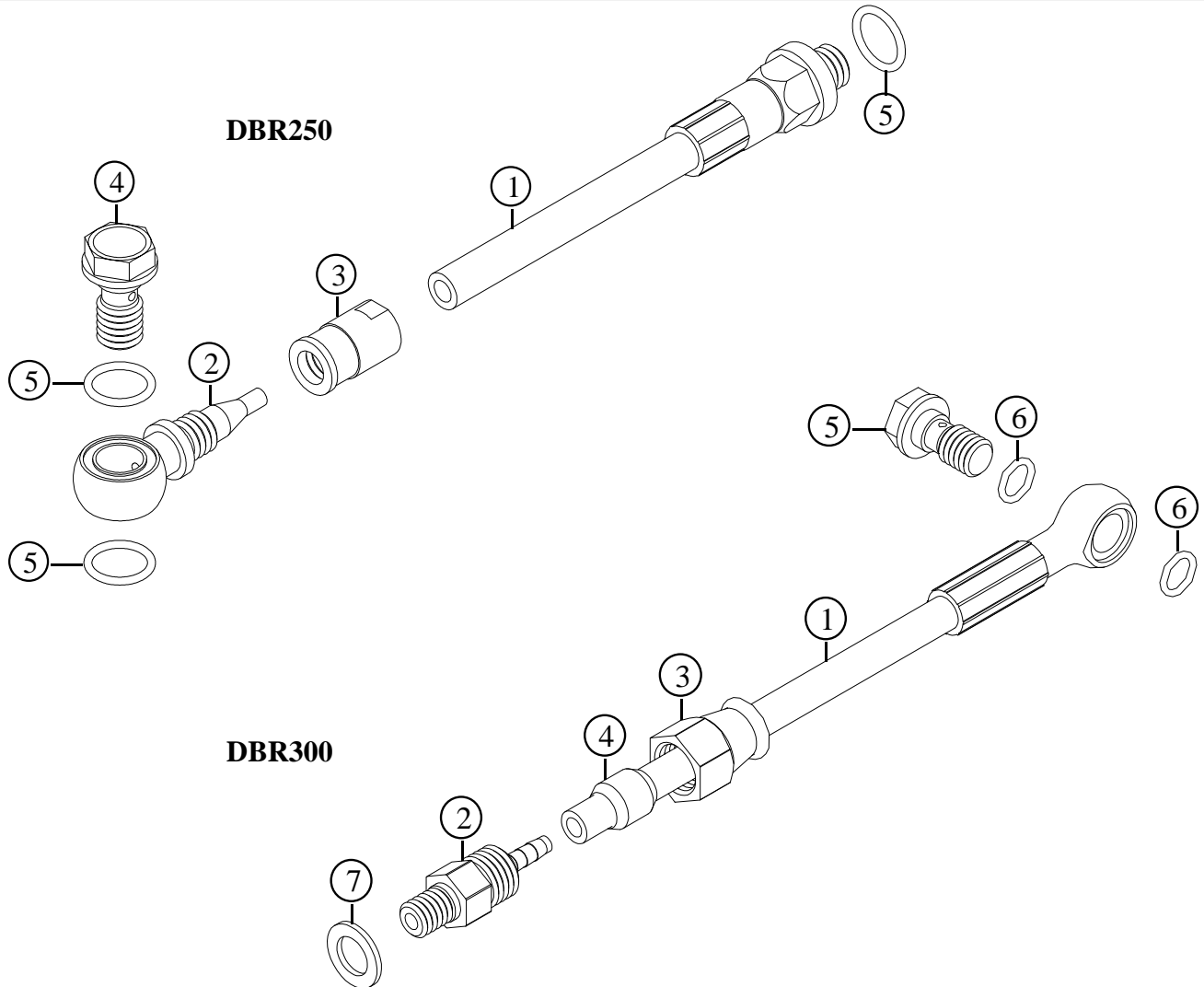
Specifications are subject to change without notice

FRM

Disc Brakes – Hose & Fittings

DBR 250 – DBR 300 – DBR 300DH

2011



Item no.	Code	DESCRIPTION	Price €
DBR 250			
1	FTCT850	Frentubo Carbotech Hose and Pressed M-Joint (light alloy). Front 850mm long	25,00
1	FTCT1450	Frentubo Carbotech Hose and Pressed M-Joint (light alloy). Rear 1450mm long	35,00
2	FT13508/B	Banjo in Light Alloy	5,00
3	FT13608/A	Locking Nut for Banjo in Light Alloy	5,00
4	FTB50106	Locking Bolt of Banjo in Titanium – Gold Plated	9,00
5	OREPDM7x1	O-Ring 7 x 1mm in EPDM rubber (3pcs)	0,35 pc
DBR 300 & DBR300DH			
1	HHBB-850	PVDF Kevler Braided hose (5,5mm) with Pressed Banjo (steel). Front 850mm long	16,50
1	HH-BB-1450	PVDF Kevler Braided hose (5,5mm) with Pressed Banjo (steel). Rear 1450mm long	16,50
1	HHBB-900	PVDF Stainless Steel Braided hose with Pressed Banjo (steel). Front 900mm long. 300DH	23,50
1	HH-BB-1500	PVDF Stainless Steel Braided hose with Pressed Banjo (steel). Rear 1500mm long. 300DH	23,50
2	HP-02-10	M-Joint in Steel	4,50
3	HP-04-10	Locking Nut of M-Joint in Stainless Steel	2,5
4	HP-06-10	Compress Barrel for 5,5mm hose (10pcs)	9,50
5	HP-03-10	Locking Bolt of Banjo in Stainless Steel	2,00
6	OR-EPDM6x1	O-Ring 6 x 1mm in EPDM rubber (2pcs)	0,35 pc
7	CW96	Copper Washer 9,9 x 6 x 1mm	1,00

Note: modified from Spare Part Manual dated 2010

Specifications are subject to change without notice

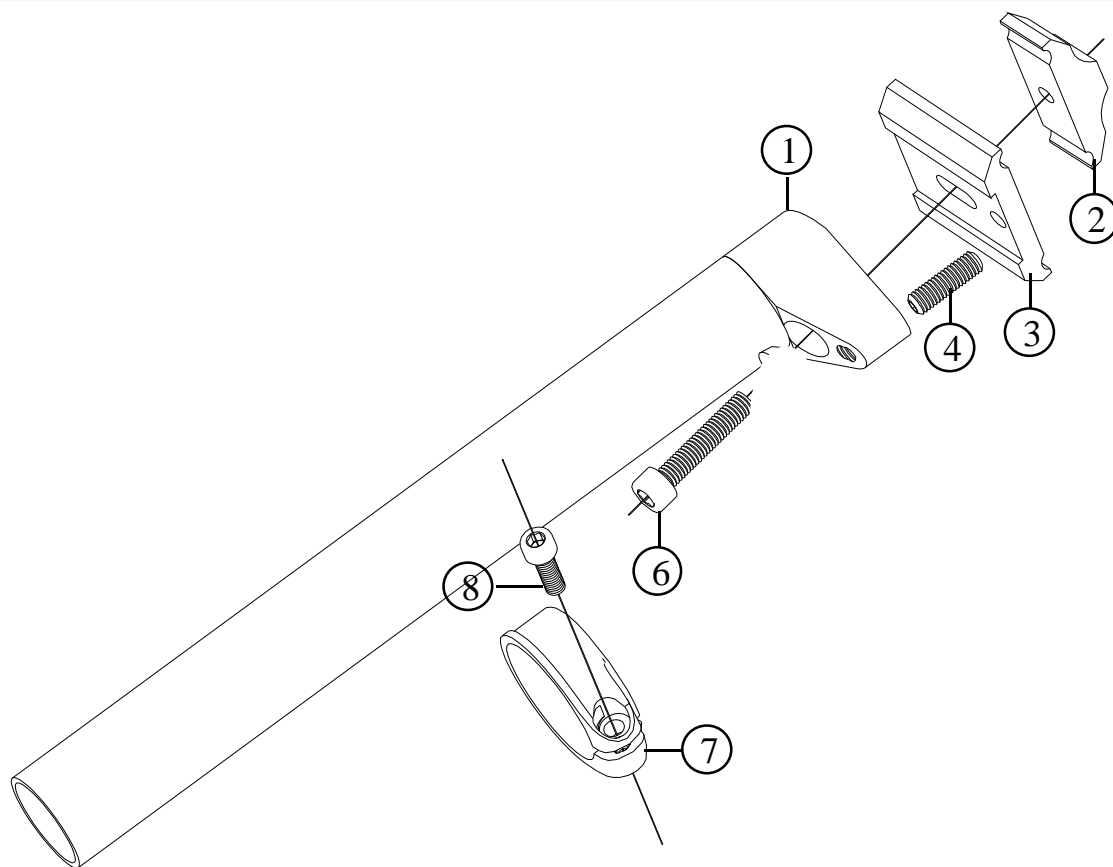
FRM

Seatpost and Seat Collar for Road & MTB

ST-R11 Ti. 31,6 x 250

ST-M11 Ti. 30,9 x 370 & ST-M11 Ti. 31,6 x 370

2011



Item no.	Code	DESCRIPTION	Price €
1	STR1131625	Light Alloy Post 31,6 x 250mm	55,00
1	STM1131637	Light Alloy Post 31,6 x 370mm	66,00
1	STM1130937	Light Alloy Post 30,9 x 370mm	66,00
2	STOS03T	Rails Clamp for M7 Titanium Bolt (Black anodised)	10,50
3	STOS02	Rails Platform / Light Alloy	14,00
4	STOS04	Dowel M6	0,10
6	TCC730T	Allen Bolt M7 x 35mm in Titanium – Gold Plated. Special design	12,50
7	STAC35BLK	SC35 Seat Clamp. 34,9mm dia Black. Without Bolt	11,00
7	STAC35G	SC35 Seat Clamp. 34,9mm dia Gold. Without Bolt	11,00
7	STAC35R	SC35 Seat Clamp. 34,9mm dia Red. Without Bolt	11,00
7	STAC35BE	SC35 Seat Clamp. 34,9mm dia Blue. Without Bolt	11,00
7	STAC35OR	SC35 Seat Clamp. 34,9mm dia Orange. Without Bolt	11,00
7	STAC32BLK	SC32 Seat Clamp. 31,6mm dia Black. Without Bolt	11,00
7	STAC32G	SC32 Seat Clamp. 31,6mm dia Gold. Without Bolt	11,00
7	STAC32R	SC32 Seat Clamp. 31,6mm dia Red. Without Bolt	11,00
7	STAC32BE	SC32 Seat Clamp. 31,6mm dia Blue. Without Bolt	11,00
7	STAC32OR	SC32 Seat Clamp. 31,6mm dia Orange. Without Bolt	11,00
8	TCC515S	Allen Bolt M5 x 15 / Steel	0,10
8	TCC515T	Allen Bolt M5 x 15 / Titanium – Gold Plated	5,50

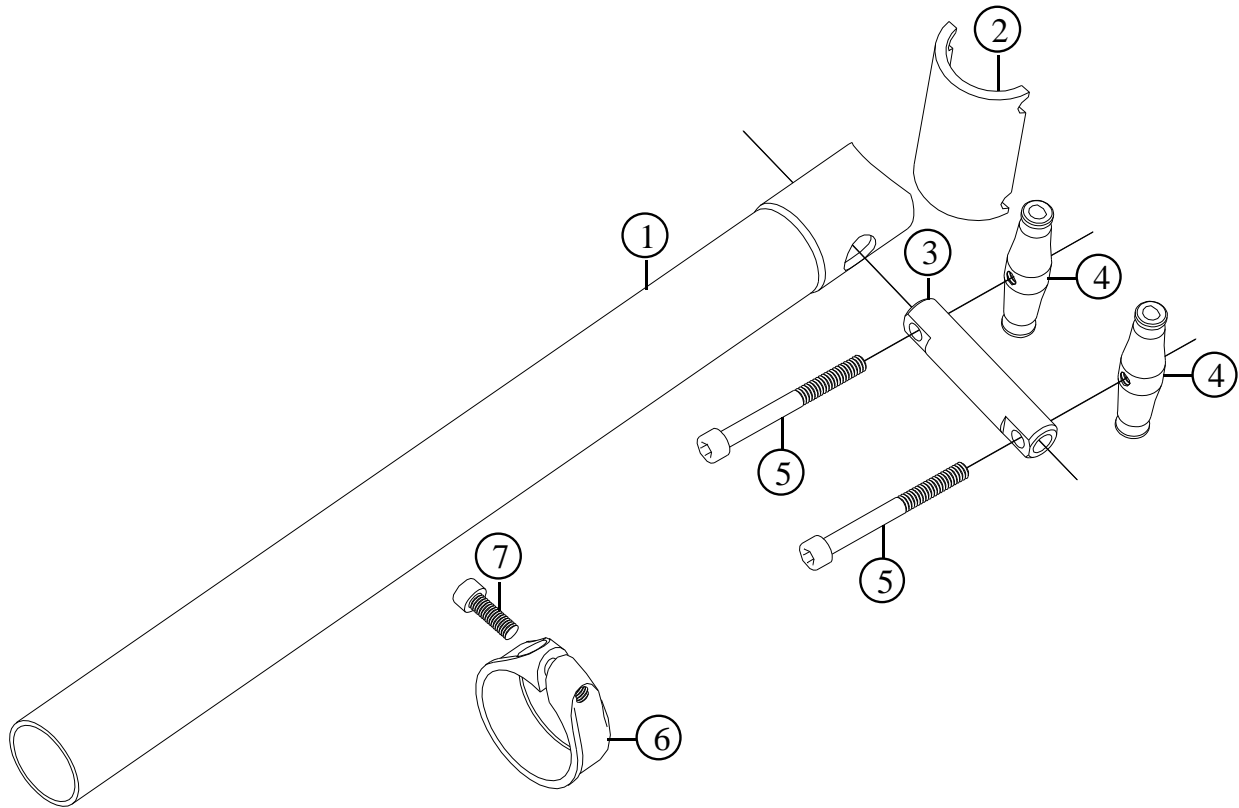
Specifications are subject to change without notice

FRM

Seatpost for MTB

ST-M10 30,9x350 /400 - ST-M10 31,6x350 /400
ST-M10 TI. 30,9x350 /400 - ST-M10 Ti. 31,6x350 /400

2011



Item no.	Code	DESCRIPTION	Price €
1	STM101C	Light Alloy Post 30,9 x 350mm . Externally double butted	56,00
1	STM101D	Light Alloy Post 31,6 x 350mm . Externally double butted	56,00
1	STM101C4	Light Alloy Post 30,9 x 400mm . Externally double butted	64,00
1	STM101D4	Light Alloy Post 31,6 x 400mm . Externally double butted	64,00
2	STM102RD	Rails Cradle. Light Alloy. Red anodised	8,00
2	STM102GD	Rails Cradle. Light Alloy. Gold anodised	8,00
2	STM102BE	Rails Cradle. Light Alloy. Blue anodised	8,00
2	STM102BLK	Rails Cradle. Light Alloy. Black anodised	8,00
2	STM102OR	Rails Cradle. Light Alloy. Orange anodised	8,00
3	STM103	Pin for steel bolts. Silver anodised	6,00
3	STM103T	Pin for Titanium bolts. Black anodised	7,00
4	STM104	Rail Clamp for M5 Steel Bolts (2pcs)	7,00 pc
4	STM104T	Rail Clamp for M6 Titanium Bolts (2pcs)	7,00 pc
5	TCC550	Allen Bolt M5 x 50mm in Steel (2pcs)	0,30 pc
5	TCC558T	Allen Bolt M6 x 50mm in Titanium – Gold Plated. Special design (2pcs)	10,50 pc
6	STAC35BLK	SC35 Seat Clamp. 34,9mm dia Black. Without Bolt	11,00
6	STAC35G	SC35 Seat Clamp. 34,9mm dia Gold. Without Bolt	11,00
6	STAC35R	SC35 Seat Clamp. 34,9mm dia Red. Without Bolt	11,00
6	STAC35BE	SC35 Seat Clamp. 34,9mm dia Blue. Without Bolt	11,00
6	STAC35OR	SC35 Seat Clamp. 34,9mm dia Orange. Without Bolt	11,00
6	STAC32BLK	SC32 Seat Clamp. 31,6mm dia Black. Without Bolt	11,00
6	STAC32G	SC32 Seat Clamp. 31,6mm dia Gold. Without Bolt	11,00
6	STAC32R	SC32 Seat Clamp. 31,6mm dia Red. Without Bolt	11,00
6	STAC32BE	SC32 Seat Clamp. 31,6mm dia Blue. Without Bolt	11,00
6	STAC32OR	SC32 Seat Clamp. 31,6mm dia Orange. Without Bolt	11,00
7	TCC515S	Allen Bolt M5 x 15 / Steel	0,10
7	TCC515TI	Allen Bolt M5 x 15 / Titanium – Gold Plated	5,00

Note: modified from Spare Part Manual dated 2010

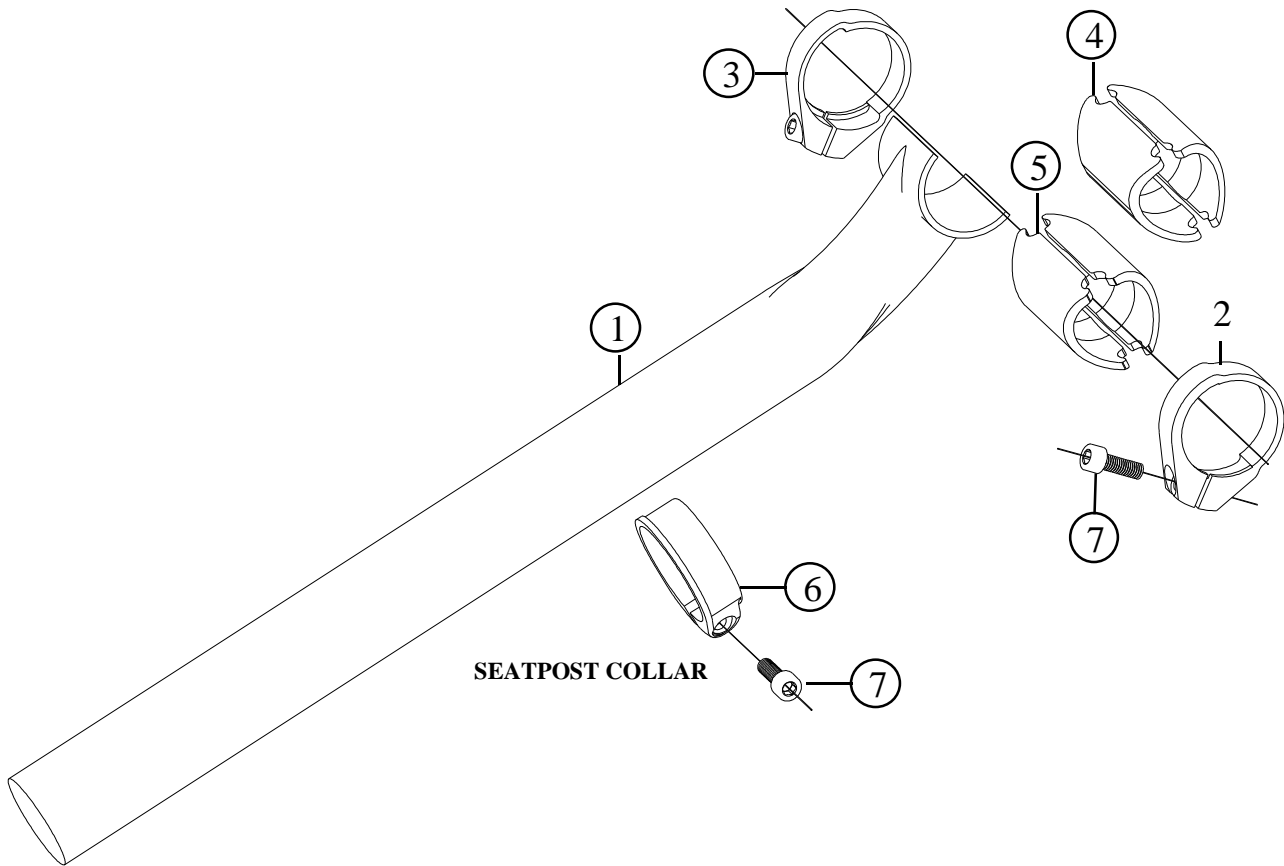
Specifications are subject to change without notice

FRM

Seatpost for Road & MTB

ST-R Black Hole & ST-M Black Hole

2011



Item no.	Code	DESCRIPTION	Price €
1	STMRH	Seatpost 31,6 x 250mm. Carbon Fibre	260,00
1	STMBH	Seatpost 31,6 x 350mm. Carbon fibre	260,00
2	STBHCR	Right Hand Clamp. Black anodised	12,00
3	STBHCL	Left Hand Clamp. Black anodised	12,00
4	STBHRS	Craddle for regular railed saddles. Asymmetric. Titan anodised (2pcs)	14,00
5	STBHBHS	Craddle specific for FRM Black Hole Saddle. Black anodised (2pcs)	14,00
6	STAC35BLK	SC35 Seat Clamp. 34,9mm dia Black. Without Bolt	11,00
6	STAC35G	SC35 Seat Clamp. 34,9mm dia Gold. Without Bolt	11,00
6	STAC35R	SC35 Seat Clamp. 34,9mm dia Red. Without Bolt	11,00
6	STAC35BE	SC35 Seat Clamp. 34,9mm dia Blue. Without Bolt	11,00
6	STAC35OR	SC35 Seat Clamp. 34,9mm dia Orange. Without Bolt	11,00
6	STAC32BLK	SC32 Seat Clamp. 31,6mm dia Black. Without Bolt	11,00
6	STAC32G	SC32 Seat Clamp. 31,6mm dia Gold. Without Bolt	11,00
6	STAC32R	SC32 Seat Clamp. 31,6mm dia Red. Without Bolt	11,00
6	STAC32BE	SC32 Seat Clamp. 31,6mm dia Blue. Without Bolt	11,00
6	STAC32OR	SC32 Seat Clamp. 31,6mm dia Orange. Without Bolt	11,00
7	TCC515S	Allen Bolt M5 x 15 / Steel (2pcs)	0,10 pc
7	TCC515TI	Allen Bolt M5 x 15 / Titanium – Gold Plated (2pcs)	5,00 pc

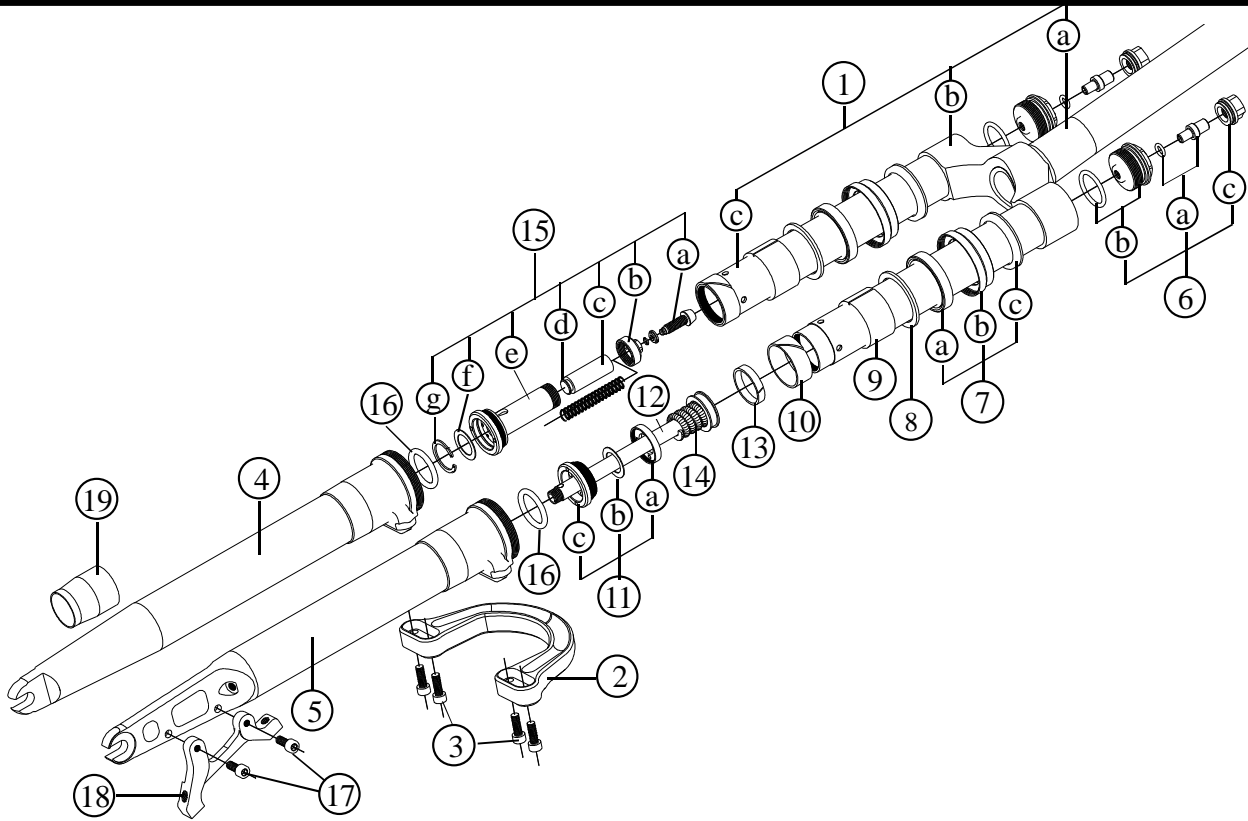
Specifications are subject to change without notice

FRM

MTB Suspension Fork

AIR-WAY 89SSV Carbon / BiCarbon / FullCarbon

2011



Item no.	Code	DESCRIPTION	Price €
1	06E30	Crown Assembly. Light Alloy Steerer Tube (Original equipment of 89 SSV Carbon)	245,00
1	06CE30	Crown Assembly. Carbon Fibre Steerer Tube (Original equipment of 89 SSV BiCarbon / FullCarbon)	325,00
1c	AW85USR	Upper stanchion for replacement	65,00
2	03RBEVO	Reversed Brace. Light Alloy. Black or Red anodised	72,00
3	TCC512Ti	Brace Fixing Bolt. Allen M5 x12mm . Titanium, Gold Plated (Original equipment of 89 SSV BiCarbon)	4,80 pc
4	01RBC30EVO	Right Lower Leg. Carbon Fibre	160,00
5	02RBC30EVO	Left Lower Leg . Carbon Fibre	185,00
6a	21D	Air Valve & O-Ring 2025 (I.D. 6,07 x 1,78mm)	6,00
6b	21B30	Air Valve Body & O-Ring 128 (I.D. 20,63 x 1,78mm)	6,00
6c	21C	Air Valve Cap & O-Ring 2050 (I.D. 12,42 x 1,78mm)	3,00
7b	1730	Oil Seal Lock Ring / Light Alloy (2pcs)	5,50 pc
7a	16N	Oil Seal 30 x 40 x 7mm (2pcs)	3,00 pc
7c	SA30	Dust Seal (2pcs)	3,00 pc
8	15N	Shim / Light Alloy 37,5 x 30 x 2mm (2pcs)	1,50 pc
9	14N	Upper Bushing. Iglodur W300 34 x 30 x 20mm (2pcs)	7,00 pc
10	13N	Lower Bushing. Polyzene 31,75 x 29,1 x 12mm (2pcs)	5,00 pc
11	07SP	Oil Valve Assembly	8,00
Not Visible	18	Damping Adjustment Piston & O-Ring 2012 (I.D.) 2,90 x 1,78mm)	2,00
12	08SP	Piston/Shaft/Spring Assembly. 128mm long shaft. Light Alloy	17,00
13	11SP	Piston Seal FG 15049 4,9 x 1,5mm	0,50
14	09SP	Negative – Top-Out Spring (Dia. 18,4mm. Length 25mm)	3,00
15a	SSVA	Bolt in Light Alloy with Spring Plate and Circlip	3,50
15b	SSVB	SSV Valve Cap—Synthetic	1,50
15c	SSVC	SSV Piston and Spring dia. 8,6 x 50 mm	4,00
15d	SSVD	O-Ring 2031	-
15e	SSVE	SSV Body	7,00
15f	SSVF	Steel Shims 21,8 x 14,8 x 0,3mm (One flat – One bent)	0,50
15g	SSVG	Seeger 22V1	0,10
16	10A	Bottom-Out Damper. O-Ring (2pcs)	0,50 pc
17	TCC512Ti	Disc Mount Fixing Bolt. Allen M5 x 12mm. Titanium, Gold Plated (89 SSV BiCarbon/FullCarbon) 2pcs	4,80 pc
18	AW1	Post-Mount AW1 Disc Brake Mount for 160mm rotors. Light Alloy	19,00
19	OST30	Oil Seal Tool for 30 mm stanchions	4,50
		Motul Fork Oil Factory Line – Light 5W 200 cc	11,90
		Motul Fork Oil Factory Line – Light 5W 1.000 cc	25,40

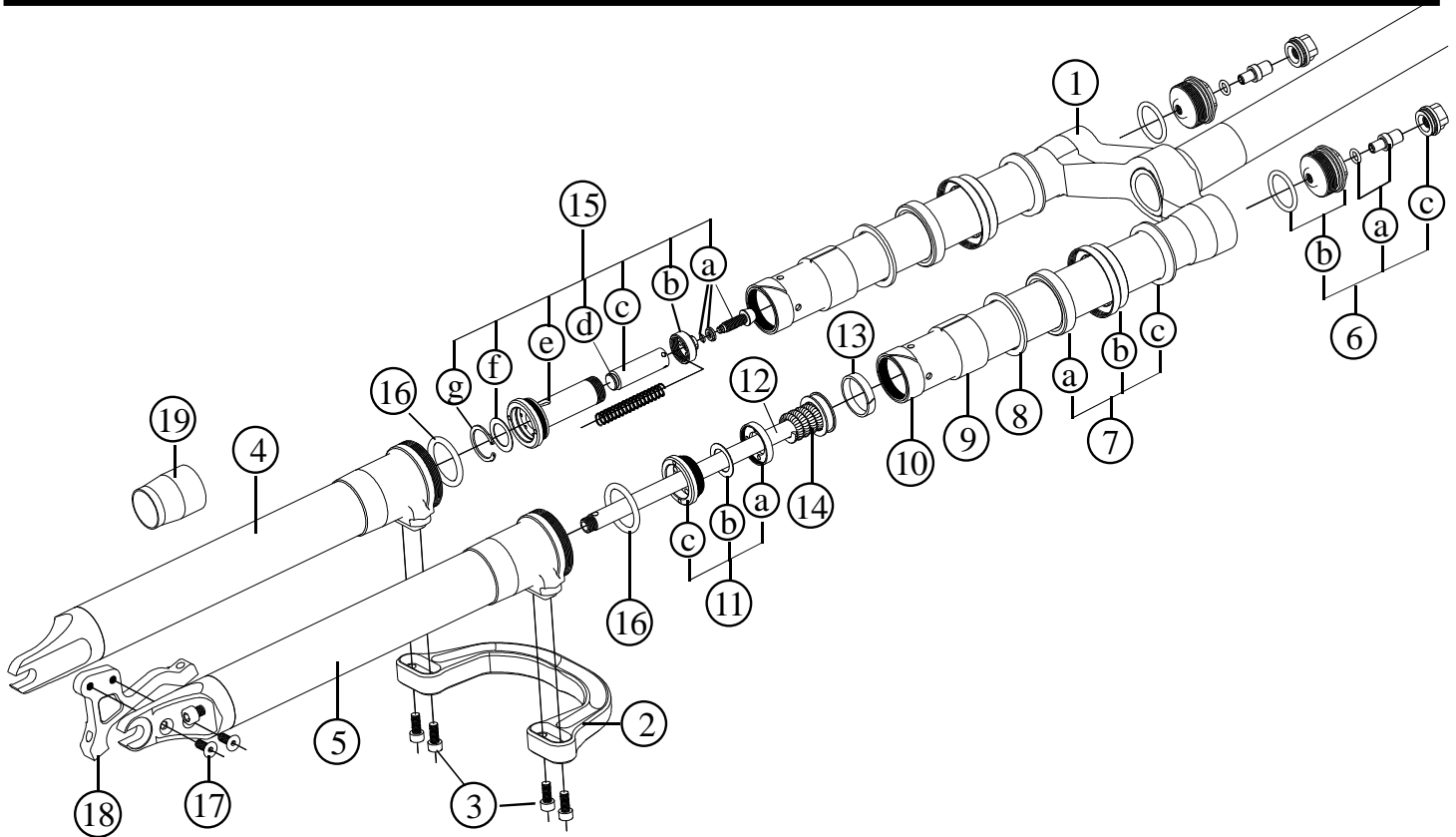
Specifications are subject to change without notice

FRM

MTB Suspension Fork

AIR-WAY 95SSV Carbon / BiCarbon / FullCarbon

2011



Item no.	Code	DESCRIPTION	Price €
1	06M30	Crown Assembly. Light Alloy Steerer Tube (Original equipment of 95 SSV Carbon)	285,00
1	06CM30	Crown Assembly. Carbon Fibre Steerer Tube (Original equipment of 95 SSV BiCarbon / FullCarbon)	375,00
1c	AW95USR	Upper stanchion for replacement	65,00
2	03N06	Reversed Brace. Light Alloy. Black or Red	75,00
3	TCC512TI	Brace Fixing Bolt. Allen M5x12mm. Titanium, Gold Plated (Original equipment of 95 SSV BiCarbon)	4,80 pc
4	01CN07	Right Lower Leg. Carbon Fibre	194,00
5	02CN07	Left Lower Leg. Carbon Fibre (Post-Mount dropout)	232,00
6a	21D	Air Valve & O-Ring 2025 (I.D. 6,07 x 1,78mm)	6,00
6b	21B30	Air Valve Body & O-Ring 128 (I.D. 20,63 x 1,78mm)	6,00
6c	21C	Air Valve Cap & O-Ring 2050 (I.D. 12,42 x 1,78mm)	3,00
7b	1730	Oil Seal Lock Ring. Light Alloy (2pcs)	5,50 pc
7a	16N	Oil Seal TTO 30 x 40 x 7mm (2pcs)	3,00 pc
7c	SA30	Dust Seal (2pcs)	3,00 pc
8	15N	Shim / Light Alloy 37,5 x 30 x 2mm (2pcs)	1,50 pc
9	14N	Upper Bushing. Iglodur W300 34 x 30 x 20mm (2pcs)	7,00 pc
10	13N	Lower Bushing. Polyzene 31,75 x 29,1 x 12mm (2pcs)	5,00 pc
11	07SP	Oil Valve Assembly	8,00
Not Visible	18	Damping Adjustment Piston & O-Ring 2012 (I.D.) 2,90x1,78mm)	2,00
12	08SP	Piston/Shaft/Spring Assembly. 183mm long shaft. Light Alloy	20,00
13	11SP	Piston Seal FG 15049 4,9 x 1,5mm	0,50
14	09SP	Negative - Top-Out Spring (Dia. 18,4mm. Length 25mm)	3,00
15a	SSVA	Bolt in Light Alloy with Spring Plate and Circlip	3,50
15b	SSVB	SSV Valve Cap. Synthetic	1,50
15c	SSVC	SSV Piston and Spring dia. 8,6 x 50 mm	4,00
15d	SSVD	O-Ring 2031	-
15e	SSVE	SSV Body	7,00
15f	SSVF	Steel Shims 21,8 x 14,8 x 0,3mm (One flat - One bent)	0,50
15g	SSVG	Seeger 22V1	0,10
16	10A	Bottom-Out Damper . O-Ring (2pcs)	0,50 pc
17	24A	Disc Mount Fixing Bolt. Cone Head M5. Steel (2pcs)	0,20 pc
18	AW2	Post-Mount AW2 Disc Brake Mount for 160mm rotors. Light Alloy	19,00
19	OST30	Oil Seal Tool for 30 mm stanchions	4,50
		Motul Fork Oil Factory Line - Light 5W 200 cc	11,90
		Motul Fork Oil Factory Line - Light 5W 1.000 cc	25,40

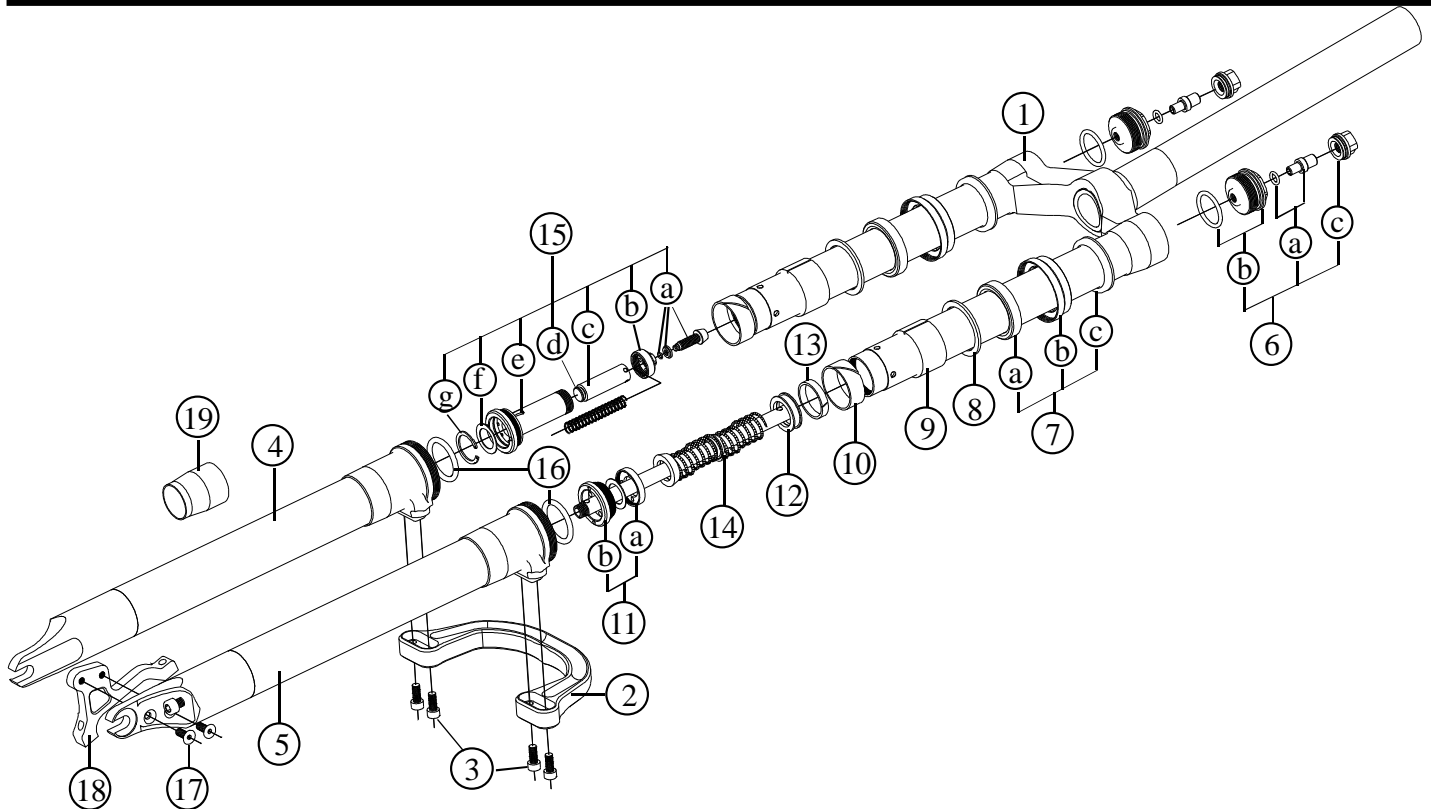
Specifications are subject to change without notice

FRM

MTB Suspension Fork

AIR-WAY 85SSV 29er Carbon / BiCarbon / FullCarbon

2011



Item no.	Code	DESCRIPTION	Price €
1	06M30	Crown Assembly. Light Alloy Steerer Tube (Original equipment of 85SSV 29er Carbon)	285,00
1	06CM30	Crown Assembly. Carbon Fibre Steerer Tube (Original equipment of 85SSV 29er BiCarbon / FullCarbon)	375,00
1c	AW95USR	Upper stanchion for replacement	65,00
2	03N06	Reversed Brace. Light Alloy. Black or Red	75,00
3	TCC512TI	Brace Fixing Bolt. Allen M5x12mm. Titanium, Gold Plated (Original equip. of 85SSV 29er BiCarbon)	4,80 pc
4	01CN0729	Right Lower Leg. Carbon Fibre	194,00
5	02CN0729	Left Lower Leg. Carbon Fibre (Post-Mount dropout)	232,00
6a	21D	Air Valve & O-Ring 2025 (I.D. 6,07 x 1,78mm)	6,00
6b	21B30	Air Valve Body & O-Ring 128 (I.D. 20,63 x 1,78mm)	6,00
6c	21C	Air Valve Cap & O-Ring 2050 (I.D. 12,42 x 1,78mm)	3,00
7b	1730	Oil Seal Lock Ring. Light Alloy (2pcs)	5,50 pc
7a	16N	Oil Seal TTO 30 x 40 x 7mm (2pcs)	3,00 pc
7c	SA30	Dust Seal (2pcs)	3,00 pc
8	15N	Shim / Light Alloy 37,5 x 30 x 2mm (2pcs)	1,50 pc
9	14N	Upper Bushing. Iglodur W300 34 x 30 x 20mm (2pcs)	7,00 pc
10	13N	Lower Bushing. Polyzene 31,75 x 29,1 x 12mm (2pcs)	5,00 pc
11	07SP	Oil Valve Assembly	8,00
Not Visible	18	Damping Adjustment Piston & O-Ring 2012 (I.D.) 2,90x1,78mm)	2,00
12	08SP	Piston/Shaft/Spring Assembly. 183mm long shaft. Light Alloy	20,00
13	11SP	Piston Seal FG 15049 4,9 x 1,5mm	0,50
14	09SP	Two Negative Top-Out Springs (Dia 17mm. Length 40mm + plastic connector and spring end cover)	4,00
15a	SSVA	Bolt in Light Alloy with Spring Plate and Circlip	3,50
15b	SSVB	SSV Valve Cap. Synthetic	1,50
15c	SSVC	SSV Piston and Spring dia. 8,6 x 50 mm	4,00
15d	SSVD	O-Ring 2031	-
15e	SSVE	SSV Body	7,00
15f	SSVF	Steel Shims 21,8 x 14,8 x 0,3mm (One flat – One bent)	0,50
15g	SSVG	Seeger 22V1	0,10
16	10A	Bottom-Out Damper . O-Ring (2pcs)	0,50 pc
17	24A	Disc Mount Fixing Bolt. Cone Head M5. Steel (2pcs)	0,20 pc
18	AW2	Post-Mount AW2 Disc Brake Mount for 160mm rotors. Light Alloy	19,00
19	OST30	Oil Seal Tool for 30 mm stanchions	4,50
		Motul Fork Oil Factory Line – Light 5W 200 cc	11,90
		Motul Fork Oil Factory Line – Light 5W 1.000 cc	25,40

Specifications are subject to change without notice

FRM

Manufactured and distributed by:

The Bike Shop

Via Mattei 18/a

48025 Riolo Terme (RA)

Italy

tel. +39 0546 70310

fax +39 0546 74623

e-mail: info@frmbike.com

Ordini Italia: barbara@frmbike.biz

Foreign orders: jane@frmbike.biz

www.frmbike.com